

HUBBELL

Instructions

58-H75D55

October, 1999
Supersedes Issue of
March, 1997

Handle Replacement For Drum Switches
Class 58
See Table for Cat. No.

DESCRIPTION

Replacement handles are available for each of the Furnas manufactured drum switches. These handles are for replacement only, and should be installed according to the following instructions.

CAUTION

Replacement handles must be installed correctly for the safe and correct use of your Furnas drum switch. Please follow the instructions carefully.

APPLICATION

Handles are for replacement of current handle only. To change your handle type, please consult our Industrial Controls catalog or a Siemens-Furnas Controls salesperson.

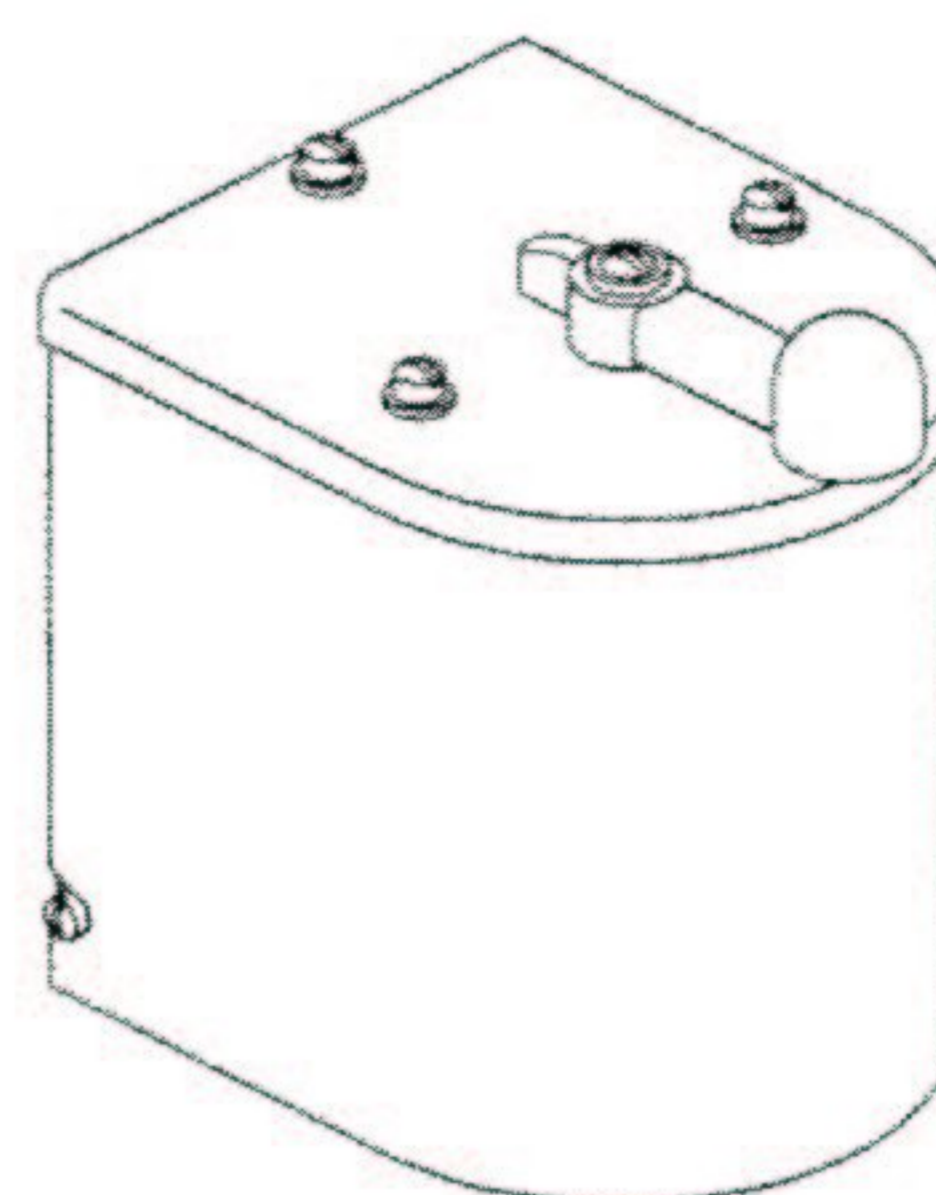


Fig. 1

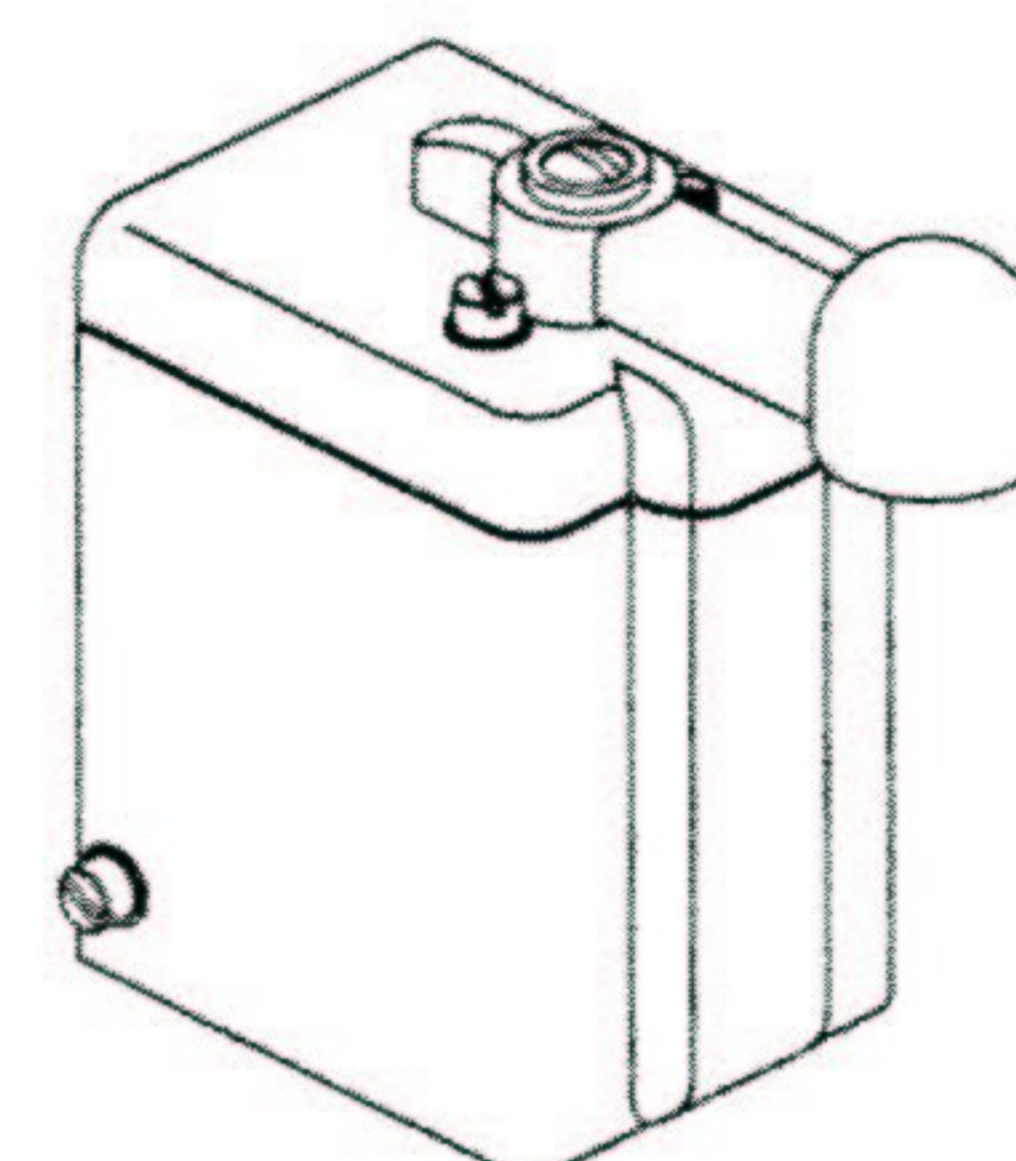


Fig. 2

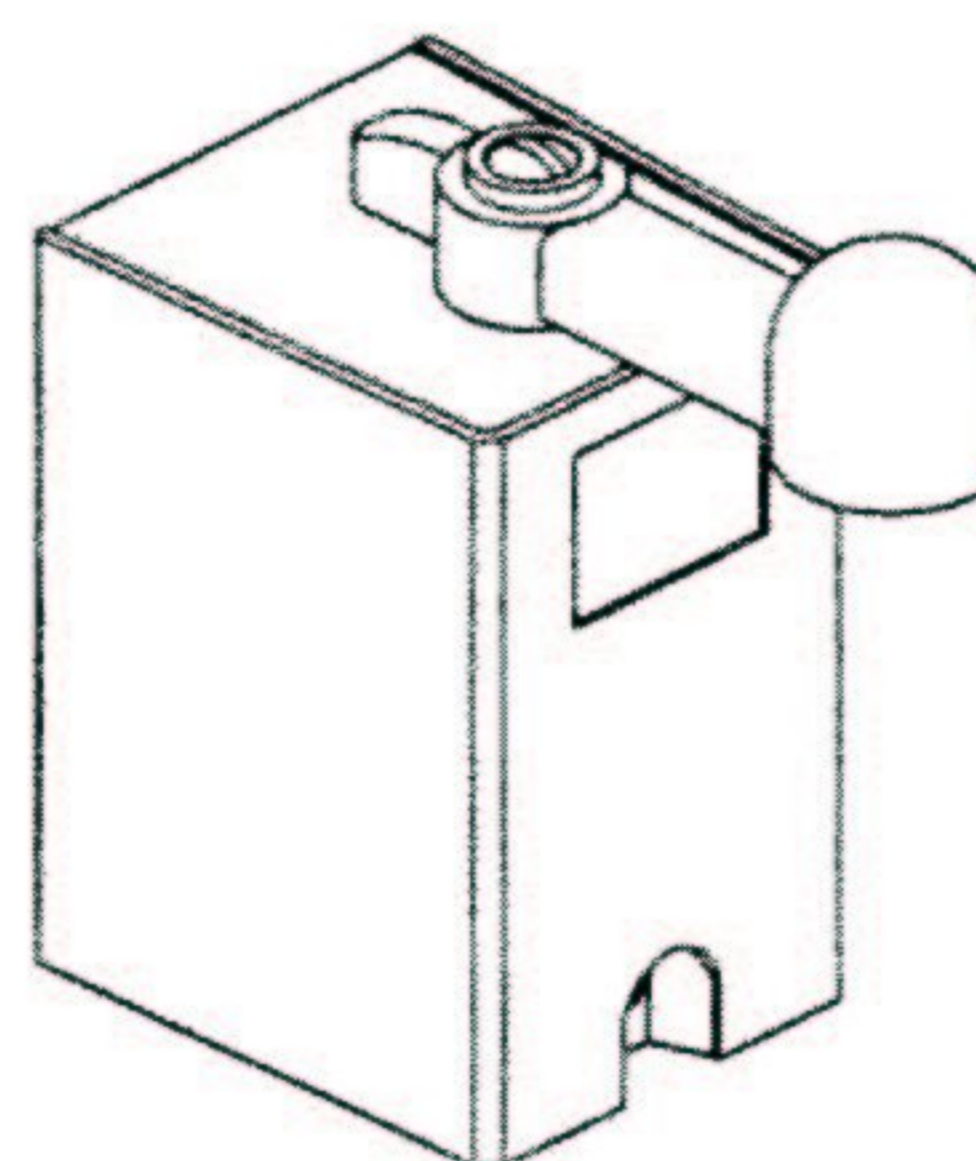


Fig. 3

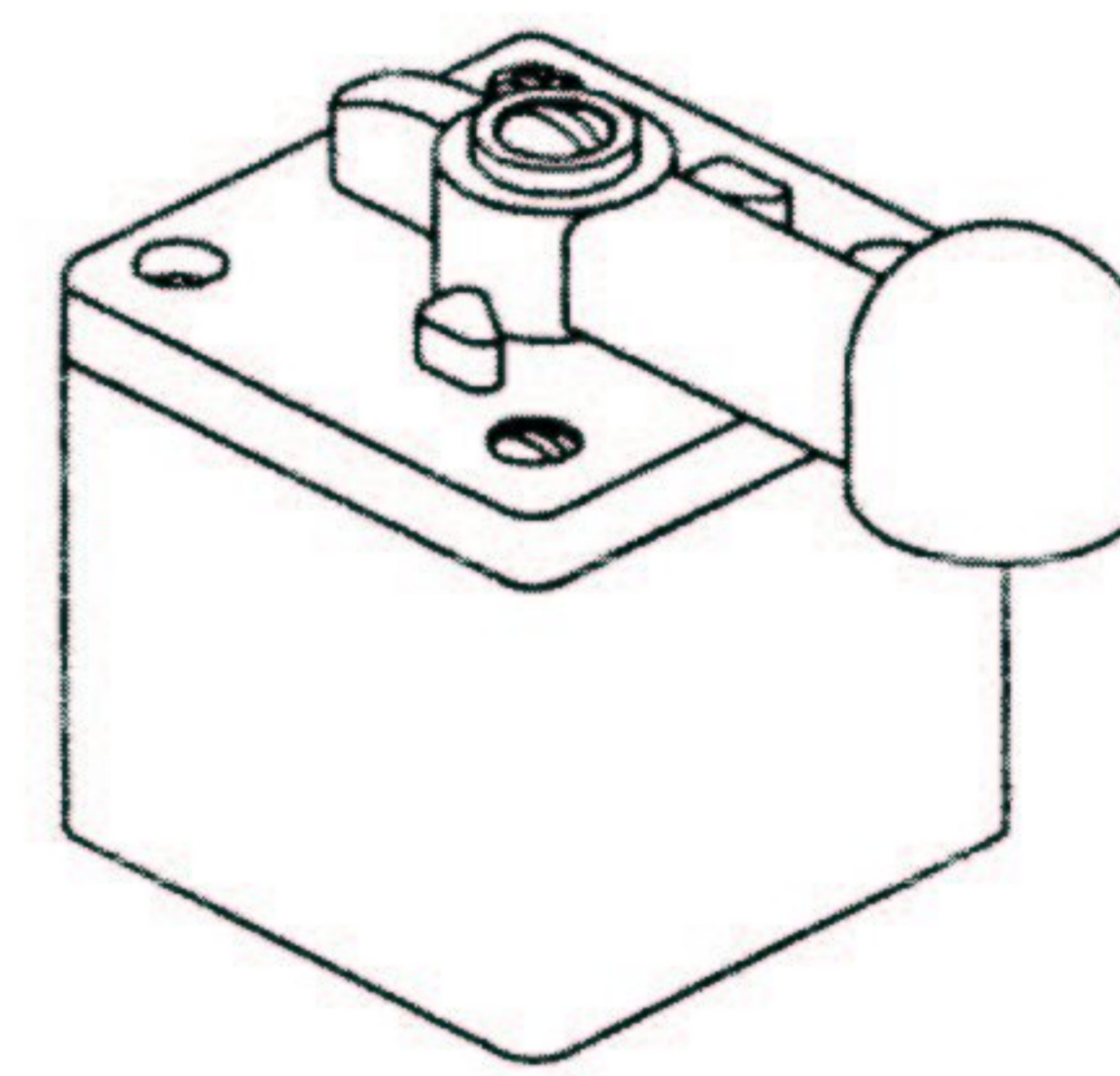


Fig. 4

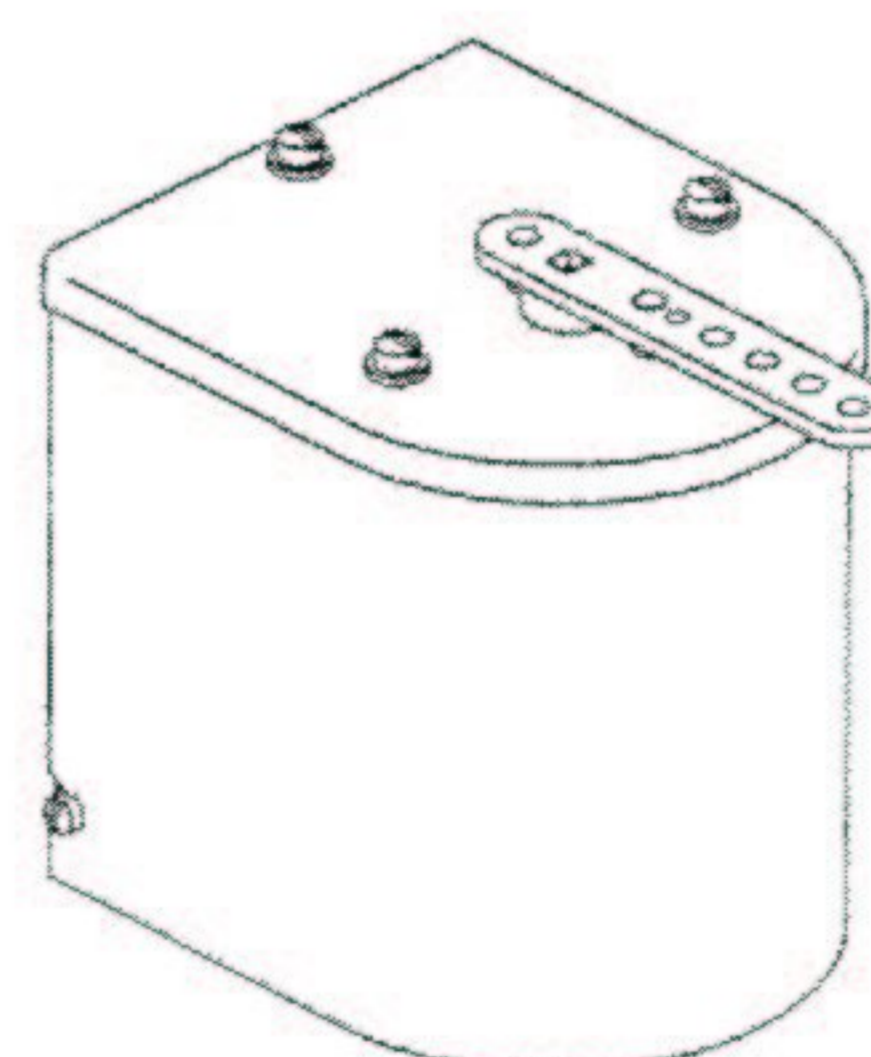


Fig. 5

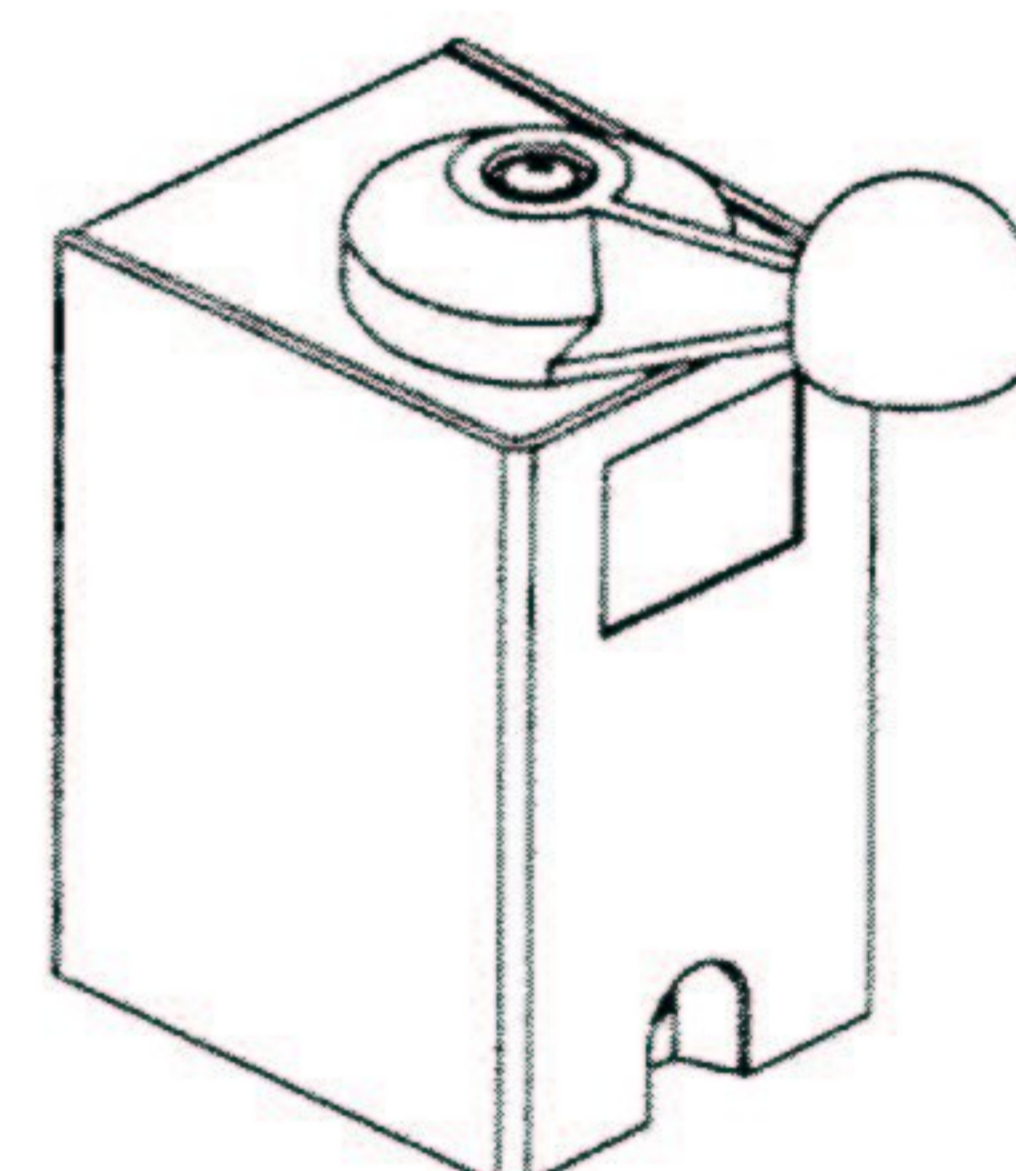


Fig. 6

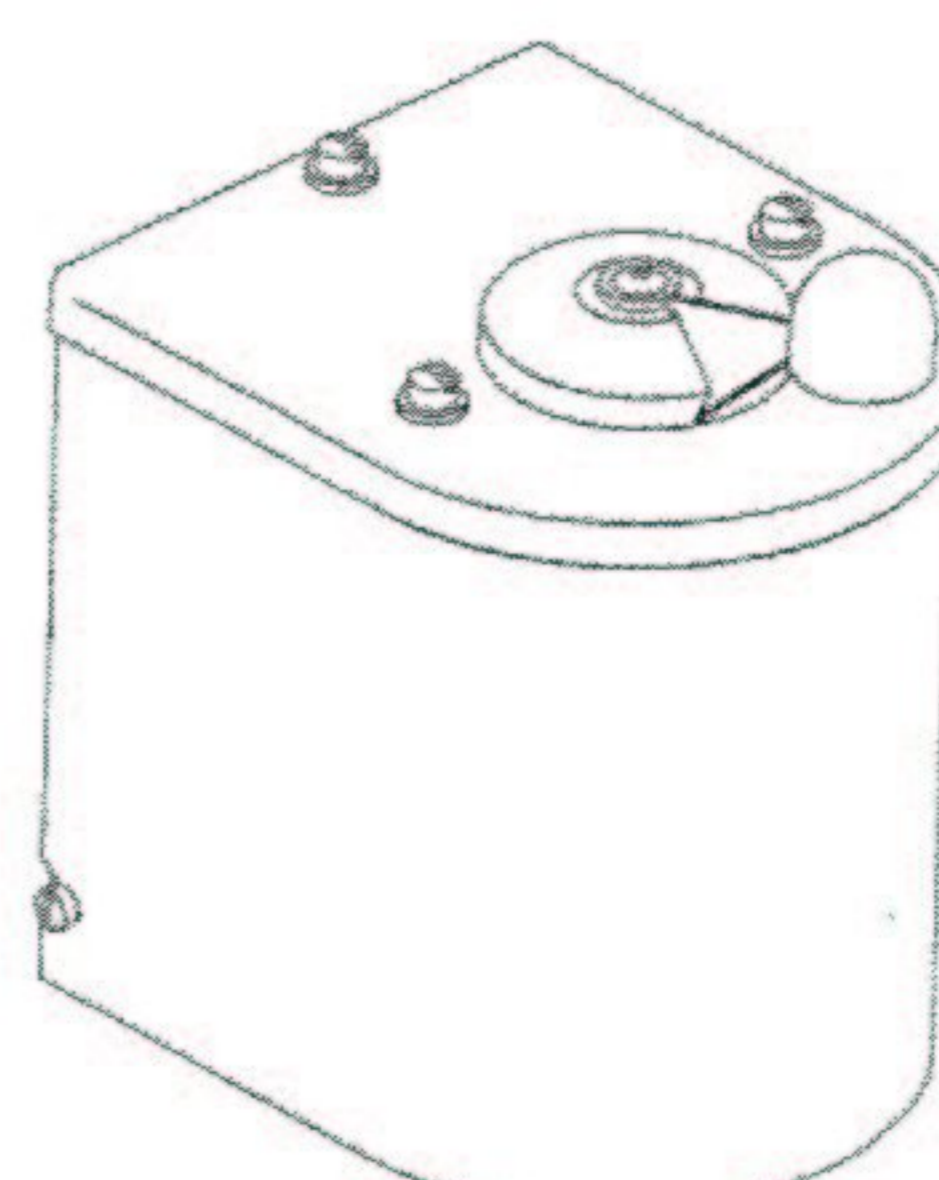


Fig. 7

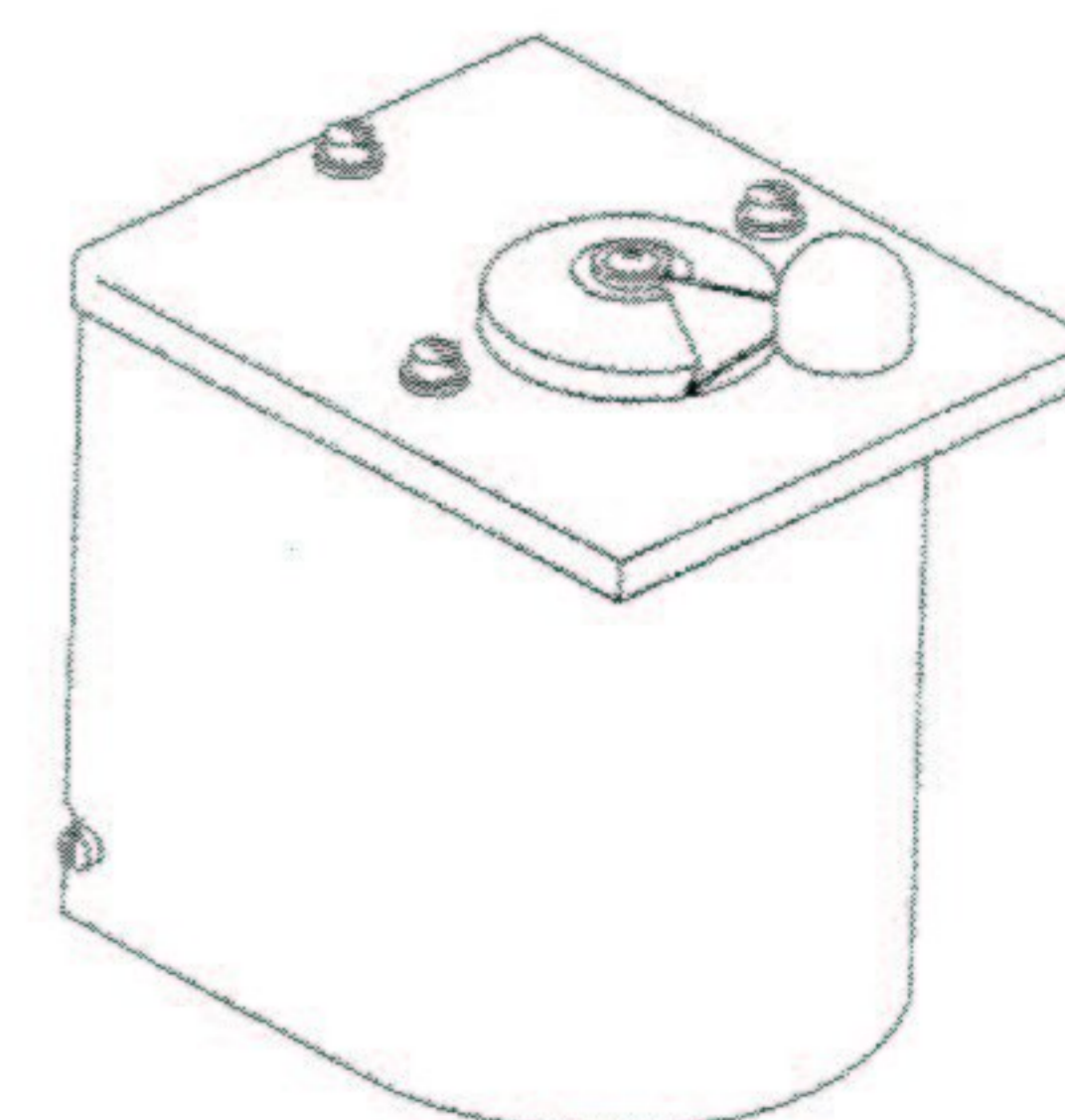


Fig. 8

	WARNING
	<p>Hazardous voltage Can cause death, serious personal injury, or property damage.</p> <p>To avoid electrical shock, turn off electrical power to controls before performing installation or maintenance.</p>

INSTALLATION

Remove the existing drum switch handle and place the replacement handle on the drum switch as shown in the included figures. Consult the table to determine the correct figure for the ordered handle and the correct drum switch style.

Handle	Drum Switch Product Class	Reference
75D55711001 (Radial)	J	Fig. 1
	R	Fig. 2
	58R	Fig. 3
	A	Fig. 4
75D09222001 (Shipper)	J	Fig. 5
75D56597001 (Angle) 75D56597002 75D50620002	58R	Fig. 6
	J	Fig. 7
	FJ	Fig. 8

(For Engineering Reference Only - Rev. B)