

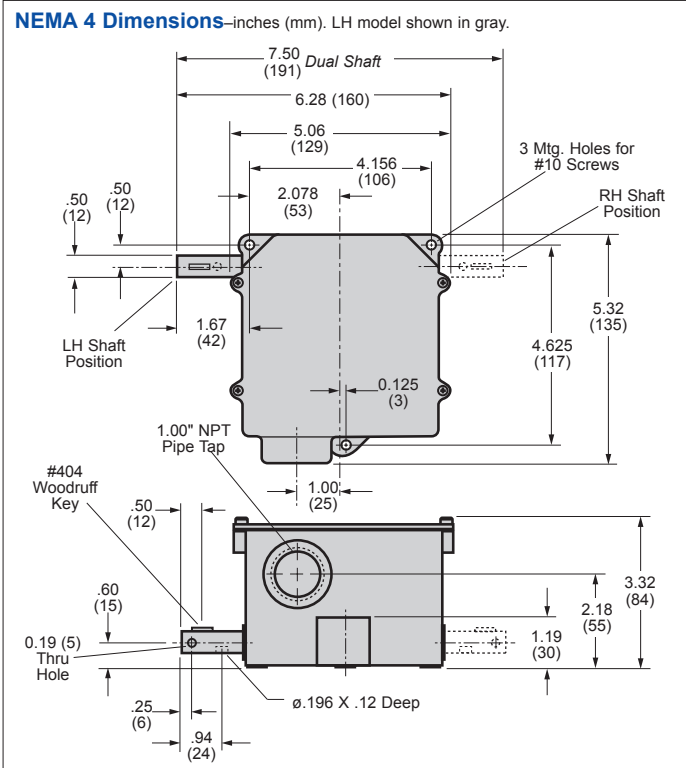
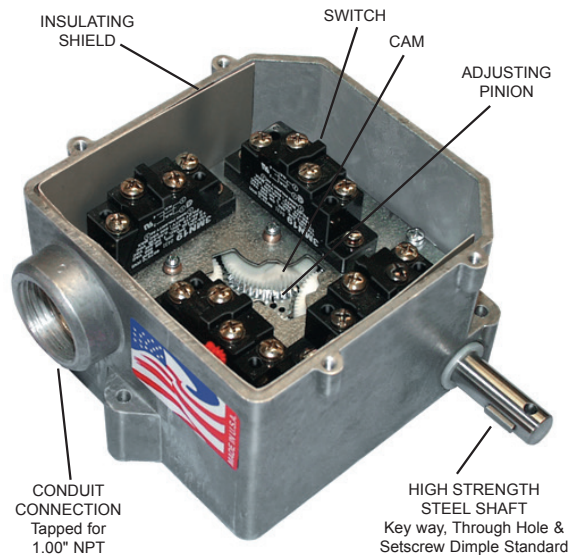
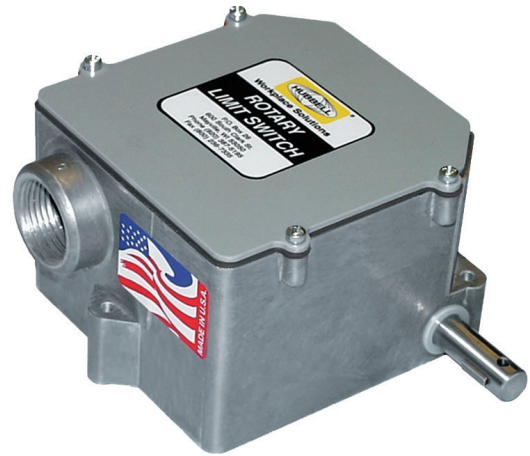
Series 55 Rotary Limit Switches

Direct replacement for GE Series CR115E Switches

Limit the travel of electrically operated doors, conveyors, hoists, machine tool work tables and similar devices. Equipment having rotating mechanisms, or linear motion which can be translated into rotational motion, can be controlled by these versatile switches. Available with up to four S.P.D.T. or D.P.D.T. switch blocks for control of multiple functions.

Switches Feature

- 9 gear ratios
- Right hand, Left hand or Dual shaft models (RH shown in photos)
- Two, Three or Four switches
- Mount in any position
- Easy to wire
- Rugged die cast enclosures
- NEMA 4 and 7/9 construction (Exceeds requirements of NEMA 1 and NEMA 12)
- High strength steel multi-use input shaft; #404 Woodruff key slot, 0.19 dia. hole and setscrew dimple
- Switch terminal screws for quick wiring
- Extended Dwell cams available in NEMA 4
- Easy, precision timing adjustment using standard screwdriver and provided tool
- Industrial grade oil-impregnated bronze bearings
- Industrial duty S.P.D.T. or D.P.D.T. snap switches are UL recognized and CSA listed



Geared Rotary Limit Switches for overtravel protection and other uses on material handling equipment, hoists, cranes, valves, compacting equipment, machine tool lead screws, packaging machinery, stage curtains, powered doors, gates and windows, etc.

Mounting and shaft location allows direct replacement of GE Series CR115 switches.

Contact Block Specifications

- 15 Amp 120, 240, 480 or 600 VAC.
- 1/2 H.P. 120 VAC, 1.0 H.P. 240 VAC
- 0.8 Amp 115 VDC, 0.4 Amp 230 VDC
- Pilot Duty 600 VAC Max.

Series 55 Rotary Limit Switches

MODELS – Series 55 NEMA 4

Gear Ratio	Turns of Drive Shaft to Trip Contacts				Contact Blocks	Circuits		RIGHT HAND SHAFT NEMA 4	LEFT HAND SHAFT NEMA 4	DUAL SHAFT NEMA 4
	Max.	Min.	Overtravel	Reset		NO	NC	Model No.*	Model No.*	Model No.*
Standard Cams										
20.5 to 1	18	1	2.5	0.5	2 3 4	2 3 4	2 3 4	55-4E-2SP-WR-20 55-4E-3SP-WR-20 55-4E-4SP-WR-20	55-4E-2SP-WL-20 55-4E-3SP-WL-20 55-4E-4SP-WL-20	55-4E-2SP-WB-20 55-4E-3SP-WB-20 55-4E-4SP-WB-20
42.5 to 1	36.5	1	6	0.5	2 3 4	2 3 4	2 3 4	55-4E-2SP-WR-40 55-4E-3SP-WR-40 55-4E-4SP-WR-40	55-4E-2SP-WL-40 55-4E-3SP-WL-40 55-4E-4SP-WL-40	55-4E-2SP-WB-40 55-4E-3SP-WB-40 55-4E-4SP-WB-40
80 to 1	68	1.5	12	0.75	2 3 4	2 3 4	2 3 4	55-4E-2SP-WR-80 55-4E-3SP-WR-80 55-4E-4SP-WR-80	55-4E-2SP-WL-80 55-4E-3SP-WL-80 55-4E-4SP-WL-80	55-4E-2SP-WB-80 55-4E-3SP-WB-80 55-4E-4SP-WB-80
111 to 1	97	2	14	1.25	2 3 4	2 3 4	2 3 4	55-4E-2SP-WR-111 55-4E-3SP-WR-111 55-4E-4SP-WR-111	55-4E-2SP-WL-111 55-4E-3SP-WL-111 55-4E-4SP-WL-111	55-4E-2SP-WB-111 55-4E-3SP-WB-111 55-4E-4SP-WB-111
222 to 1	192	3	30	2.5	2 3 4	2 3 4	2 3 4	55-4E-2SP-WR-222 55-4E-3SP-WR-222 55-4E-4SP-WR-222	55-4E-2SP-WL-222 55-4E-3SP-WL-222 55-4E-4SP-WL-222	55-4E-2SP-WB-222 55-4E-3SP-WB-222 55-4E-4SP-WB-222
333 to 1	265	4	48	3.5	2 3 4	2 3 4	2 3 4	55-4E-2SP-WR-333 55-4E-3SP-WR-333 55-4E-4SP-WR-333	55-4E-2SP-WL-333 55-4E-3SP-WL-333 55-4E-4SP-WL-333	55-4E-2SP-WB-333 55-4E-3SP-WB-333 55-4E-4SP-WB-333
444 to 1	381	5	63	4.5	2 3 4	2 3 4	2 3 4	55-4E-2SP-WR-444 55-4E-3SP-WR-444 55-4E-4SP-WR-444	55-4E-2SP-WL-444 55-4E-3SP-WL-444 55-4E-4SP-WL-444	55-4E-2SP-WB-444 55-4E-3SP-WB-444 55-4E-4SP-WB-444
640 to 1	550	8	90	7	2 3 4	2 3 4	2 3 4	55-4E-2SP-WR-640 55-4E-3SP-WR-640 55-4E-4SP-WR-640	55-4E-2SP-WL-640 55-4E-3SP-WL-640 55-4E-4SP-WL-640	55-4E-2SP-WB-640 55-4E-3SP-WB-640 55-4E-4SP-WB-640
1280 to 1	1095	24	185	23.5	2 3 4	2 3 4	2 3 4	55-4E-2SP-WR-1280 55-4E-3SP-WR-1280 55-4E-4SP-WR-1280	55-4E-2SP-WL-1280 55-4E-3SP-WL-1280 55-4E-4SP-WL-1280	55-4E-2SP-WB-1280 55-4E-3SP-WB-1280 55-4E-4SP-WB-1280
Extended Dwell Cams										
20.5 to 1	17	1	3.25	0.25	2 3 4	2 3 4	2 3 4	55-4E-2SP-WR-20-LD 55-4E-3SP-WR-20-LD 55-4E-4SP-WR-20-LD	55-4E-2SP-WL-20-LD 55-4E-3SP-WL-20-LD 55-4E-4SP-WL-20-LD	55-4E-2SP-WB-20-LD 55-4E-3SP-WB-20-LD 55-4E-4SP-WB-20-LD
42.5 to 1	35	1.5	7.5	0.75	2 3 4	2 3 4	2 3 4	55-4E-2SP-WR-40-LD 55-4E-3SP-WR-40-LD 55-4E-4SP-WR-40-LD	55-4E-2SP-WL-40-LD 55-4E-3SP-WL-40-LD 55-4E-4SP-WL-40-LD	55-4E-2SP-WB-40-LD 55-4E-3SP-WB-40-LD 55-4E-4SP-WB-40-LD
80 to 1	66	2	14	1.25	2 3 4	2 3 4	2 3 4	55-4E-2SP-WR-80-LD 55-4E-3SP-WR-80-LD 55-4E-4SP-WR-80-LD	55-4E-2SP-WL-80-LD 55-4E-3SP-WL-80-LD 55-4E-4SP-WL-80-LD	55-4E-2SP-WB-80-LD 55-4E-3SP-WB-80-LD 55-4E-4SP-WB-80-LD
111 to 1	90	3	21	2.5	2 3 4	2 3 4	2 3 4	55-4E-2SP-WR-111-LD 55-4E-3SP-WR-111-LD 55-4E-4SP-WR-111-LD	55-4E-2SP-WL-111-LD 55-4E-3SP-WL-111-LD 55-4E-4SP-WL-111-LD	55-4E-2SP-WB-111-LD 55-4E-3SP-WB-111-LD 55-4E-4SP-WB-111-LD
222 to 1	182	4	40	4	2 3 4	2 3 4	2 3 4	55-4E-2SP-WR-222-LD 55-4E-3SP-WR-222-LD 55-4E-4SP-WR-222-LD	55-4E-2SP-WL-222-LD 55-4E-3SP-WL-222-LD 55-4E-4SP-WL-222-LD	55-4E-2SP-WB-222-LD 55-4E-3SP-WB-222-LD 55-4E-4SP-WB-222-LD
333 to 1	275.0	5.0	58.0	6.0	2 3 4	2 3 4	2 3 4	55-4E-2SP-WR-333-LD 55-4E-3SP-WR-333-LD 55-4E-4SP-WR-333-LD	55-4E-2SP-WL-333-LD 55-4E-3SP-WL-333-LD 55-4E-4SP-WL-333-LD	55-4E-2SP-WB-333-LD 55-4E-3SP-WB-333-LD 55-4E-4SP-WB-333-LD

**New!
Higher
Gear
Ratios**

* S.P.D.T. switches shown. To order D.P.D.T. switches, substitute DP for SP in model number.

Example: Model Number 55-4E-3SP-WR-111-LD=S.P.D.T. switch. Model number 55-4E-3DP-WR-111-LD=D.P.D.T. switch.

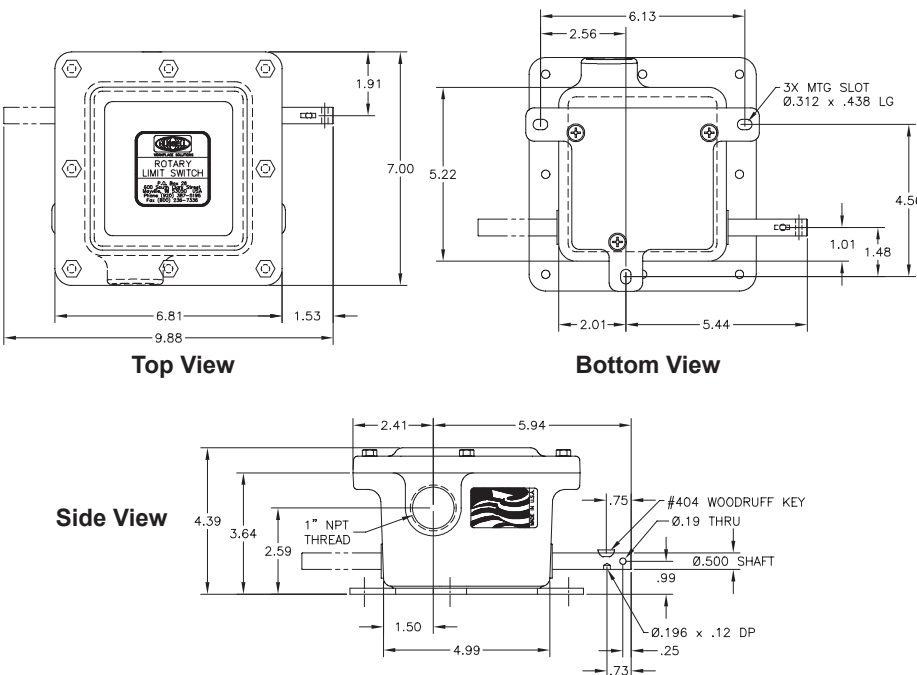
Series 55 Rotary Limit Switches



MODELS – Series 55 NEMA 7/9 Explosion Proof

Gear Ratio	Turns of Drive Shaft to Trip Contacts				Contact Blocks	Circuits		RIGHT HAND SHAFT NEMA 7/9	LEFT HAND SHAFT NEMA 7/9	DUAL SHAFT NEMA 7/9
	Max.	Min.	Overtravel	Reset		NO	NC	Model No.*	Model No.*	Model No.*
Standard Cams										
20.5 to 1	18	1	2.5	0.5	2 3 4	2 3 4	2 3 4	55-7E-2SP-WR-20 55-7E-3SP-WR-20 55-7E-4SP-WR-20	55-7E-2SP-WL-20 55-7E-3SP-WL-20 55-7E-4SP-WL-20	55-7E-2SP-WB-20 55-7E-3SP-WB-20 55-7E-4SP-WB-20
42.5 to 1	36.5	1	6	0.5	2 3 4	2 3 4	2 3 4	55-7E-2SP-WR-40 55-7E-3SP-WR-40 55-7E-4SP-WR-40	55-7E-2SP-WL-40 55-7E-3SP-WL-40 55-7E-4SP-WL-40	55-7E-2SP-WB-40 55-7E-3SP-WB-40 55-7E-4SP-WB-40
80 to 1	68	1.5	12	0.75	2 3 4	2 3 4	2 3 4	55-7E-2SP-WR-80 55-7E-3SP-WR-80 55-7E-4SP-WR-80	55-7E-2SP-WL-80 55-7E-3SP-WL-80 55-7E-4SP-WL-80	55-7E-2SP-WB-80 55-7E-3SP-WB-80 55-7E-4SP-WB-80
111 to 1	97	2	14	1.25	2 3 4	2 3 4	2 3 4	55-7E-2SP-WR-111 55-7E-3SP-WR-111 55-7E-4SP-WR-111	55-7E-2SP-WL-111 55-7E-3SP-WL-111 55-7E-4SP-WL-111	55-7E-2SP-WB-111 55-7E-3SP-WB-111 55-7E-4SP-WB-111
222 to 1	192	3	30	2.5	2 3 4	2 3 4	2 3 4	55-7E-2SP-WR-222 55-7E-3SP-WR-222 55-7E-4SP-WR-222	55-7E-2SP-WL-222 55-7E-3SP-WL-222 55-7E-4SP-WL-222	55-7E-2SP-WB-222 55-7E-3SP-WB-222 55-7E-4SP-WB-222
333 to 1	265	4	48	3.5	2 3 4	2 3 4	2 3 4	55-7E-2SP-WR-333 55-7E-3SP-WR-333 55-7E-4SP-WR-333	55-7E-2SP-WL-333 55-7E-3SP-WL-333 55-7E-4SP-WL-333	55-7E-2SP-WB-333 55-7E-3SP-WB-333 55-7E-4SP-WB-333
444 to 1	381	5	63	4.5	2 3 4	2 3 4	2 3 4	55-7E-2SP-WR-444 55-7E-3SP-WR-444 55-7E-4SP-WR-444	55-7E-2SP-WL-444 55-7E-3SP-WL-444 55-7E-4SP-WL-444	55-7E-2SP-WB-444 55-7E-3SP-WB-444 55-7E-4SP-WB-444
640 to 1	550	8	90	7	2 3 4	2 3 4	2 3 4	55-7E-2SP-WR-640 55-7E-3SP-WR-640 55-7E-4SP-WR-640	55-7E-2SP-WL-640 55-7E-3SP-WL-640 55-7E-4SP-WL-640	55-7E-2SP-WB-640 55-7E-3SP-WB-640 55-7E-4SP-WB-640
1280 to 1	1095	24	185	23.5	2 3 4	2 3 4	2 3 4	55-7E-2SP-WR-1280 55-7E-3SP-WR-1280 55-7E-4SP-WR-1280	55-7E-2SP-WL-1280 55-7E-3SP-WL-1280 55-7E-4SP-WL-1280	55-7E-2SP-WB-1280 55-7E-3SP-WB-1280 55-7E-4SP-WB-1280

* S.P.D.T. switches shown. To order D.P.D.T. switches, substitute DP for SP in model number.
 Example: Model Number 55-7E-3SP-WR-111-LD=S.P.D.T. switch. Model number 55-7E-3DP-WR-111-LD=D.P.D.T. switch.



Standard mounting plate allows our Limit Switch to be easily adapted to any hole pattern.

Series 55 Rotary Limit Switches

Crossover Replacements for GE Series CR115E

Gear Ratio	Contact Blocks	GE Series CR115E NEMA 1 Model No.	HWS Series 55 NEMA 4 Model No.	GE Series CR115E NEMA 7/9 Model No.	HWS Series 55 NEMA 7/9 Model No.
Right Hand Shaft—Standard Dwell Cams					
20.5 to 1	2	CR115E121102	55-4E-2SP-WR-20	CR115E721102	55-7E-2SP-WB-20
42.5 to 1	2	CR115E122102	55-4E-2SP-WR-40	CR115E722102	55-7E-2SP-WB-40
80 to 1	2	CR115E123102	55-4E-2SP-WR-80	CR115E723102	55-7E-2SP-WB-80
111 to 1	2	CR115E124102	55-4E-2SP-WR-111	CR115E724102	55-7E-2SP-WB-111
222 to 1	2	CR115E125102	55-4E-2SP-WR-222	CR115E725102	55-7E-2SP-WB-222
333 to 1	2	CR115E126102	55-4E-2SP-WR-333	CR115E726102	55-7E-2SP-WB-333
444 to 1	2	CR115E127102	55-4E-2SP-WR-444	CR115E727102	55-7E-2SP-WB-444
640 to 1	2	CR115E128102	55-4E-2SP-WR-640	CR115E728102	55-7E-2SP-WB-640
1280 to 1	2	CR115E129102	55-4E-2SP-WR-1280	CR115E729102	55-7E-2SP-WB-1280
20.5 to 1	4	CR115E141102	55-4E-4SP-WR-20	CR115E741102	55-7E-4SP-WB-20
42.5 to 1	4	CR115E142102	55-4E-4SP-WR-40	CR115E742102	55-7E-4SP-WB-40
80 to 1	4	CR115E143102	55-4E-4SP-WR-80	CR115E743102	55-7E-4SP-WB-80
111 to 1	4	CR115E144102	55-4E-4SP-WR-111	CR115E744102	55-7E-4SP-WB-111
222 to 1	4	CR115E145102	55-4E-4SP-WR-222	CR115E745102	55-7E-4SP-WB-222
333 to 1	4	CR115E146102	55-4E-4SP-WR-333	CR115E746102	55-7E-4SP-WB-333
444 to 1	4	CR115E147102	55-4E-4SP-WR-444	CR115E747102	55-7E-4SP-WB-444
640 to 1	4	CR115E148102	55-4E-4SP-WR-640	CR115E748102	55-7E-4SP-WB-640
1280 to 1	4	CR115E149102	55-4E-4SP-WR-1280	CR115E749102	55-7E-4SP-WB-1280
Left Hand Shaft—Standard Dwell Cams					
20.5 to 1	2	CR115E121112	55-4E-2SP-WL-20	CR115E721112	55-7E-2SP-WL-20
42.5 to 1	2	CR115E122112	55-4E-2SP-WL-40	CR115E722112	55-7E-2SP-WL-40
80 to 1	2	CR115E123112	55-4E-2SP-WL-80	CR115E723112	55-7E-2SP-WL-80
111 to 1	2	CR115E124112	55-4E-2SP-WL-111	CR115E724112	55-7E-2SP-WL-111
222 to 1	2	CR115E125112	55-4E-2SP-WL-222	CR115E725112	55-7E-2SP-WL-222
333 to 1	2	CR115E126112	55-4E-2SP-WL-333	CR115E726112	55-7E-2SP-WL-333
444 to 1	2	CR115E127112	55-4E-2SP-WL-444	CR115E727112	55-7E-2SP-WL-444
640 to 1	2	CR115E128112	55-4E-2SP-WL-640	CR115E728112	55-7E-2SP-WL-640
1280 to 1	2	CR115E129112	55-4E-2SP-WL-1280	CR115E729112	55-7E-2SP-WL-1280
20.5 to 1	4	CR115E141112	55-4E-4SP-WL-20	CR115E741112	55-7E-4SP-WL-20
42.5 to 1	4	CR115E142112	55-4E-4SP-WL-40	CR115E742112	55-7E-4SP-WL-40
80 to 1	4	CR115E143112	55-4E-4SP-WL-80	CR115E743112	55-7E-4SP-WL-80
111 to 1	4	CR115E144112	55-4E-4SP-WL-111	CR115E744112	55-7E-4SP-WL-111
222 to 1	4	CR115E145112	55-4E-4SP-WL-222	CR115E745112	55-7E-4SP-WL-222
333 to 1	4	CR115E146112	55-4E-4SP-WL-333	CR115E746112	55-7E-4SP-WL-333
444 to 1	4	CR115E147112	55-4E-4SP-WL-444	CR115E747112	55-7E-4SP-WL-444
640 to 1	4	CR115E148112	55-4E-4SP-WL-640	CR115E748112	55-7E-4SP-WL-640
1280 to 1	4	CR115E149112	55-4E-4SP-WL-1280	CR115E749112	55-7E-4SP-WL-1280
Dual Shaft—Standard Dwell Cams					
20.5 to 1	2	CR115E121122	55-4E-2SP-WB-20	CR115E721122	55-7E-2SP-WB-20
42.5 to 1	2	CR115E122122	55-4E-2SP-WB-40	CR115E722122	55-7E-2SP-WB-40
80 to 1	2	CR115E123122	55-4E-2SP-WB-80	CR115E723122	55-7E-2SP-WB-80
111 to 1	2	CR115E124122	55-4E-2SP-WB-111	CR115E724122	55-7E-2SP-WB-111
222 to 1	2	CR115E125122	55-4E-2SP-WB-222	CR115E725122	55-7E-2SP-WB-222
333 to 1	2	CR115E126122	55-4E-2SP-WB-333	CR115E726122	55-7E-2SP-WB-333
444 to 1	2	CR115E127122	55-4E-2SP-WB-444	CR115E727122	55-7E-2SP-WB-444
640 to 1	2	CR115E128122	55-4E-2SP-WB-640	CR115E728122	55-7E-2SP-WB-640
1280 to 1	2	CR115E129122	55-4E-2SP-WB-1280	CR115E729122	55-7E-2SP-WB-1280
20.5 to 1	4	CR115E141122	55-4E-4SP-WB-20	CR115E741122	55-7E-4SP-WB-20
42.5 to 1	4	CR115E142122	55-4E-4SP-WB-40	CR115E742122	55-7E-4SP-WB-40
80 to 1	4	CR115E143122	55-4E-4SP-WB-80	CR115E743122	55-7E-4SP-WB-80
111 to 1	4	CR115E144122	55-4E-4SP-WB-111	CR115E744122	55-7E-4SP-WB-111
222 to 1	4	CR115E145122	55-4E-4SP-WB-222	CR115E745122	55-7E-4SP-WB-222
333 to 1	4	CR115E146122	55-4E-4SP-WB-333	CR115E746122	55-7E-4SP-WB-333
444 to 1	4	CR115E147122	55-4E-4SP-WB-444	CR115E747122	55-7E-4SP-WB-444
640 to 1	4	CR115E148122	55-4E-4SP-WB-640	CR115E748122	55-7E-4SP-WB-640
1280 to 1	4	CR115E149122	55-4E-4SP-WB-1280	CR115E749122	55-7E-4SP-WB-1280