



Class 69ES-PRO CONTROL™

Developed for use by water well professionals, the Hubbell brand PRO CONTROL pressure switch answers the professional installer's need for rugged, reliable control with no cutting corners on quality. Built for direct use on all types of pumps up to 5 HP and for use in the control circuit of a magnetic starter for larger pumps. The features of PRO CONTROL make it standard equipment on some of the world's finest pumps.

Class 69ES Switch

Standard Features Include:

- 100% copper contacts
- Extra wide diaphragm orifice reduces clogging
- Roomy wiring space
- Visible contacts
- Enclosed, state of the art switch mechanism
- Rugged, non-metallic cover
- Two large ground screws
- UL listed file #14861
- CSA certified file #LR36854

69ES Water Systems

Min. Close Cut-In	Max. Open Cut-Out	Differential Range	Pressure Setting Adjustment	Horsepower			Factory Setting	NEMA 1 General Purpose Cat No.
				1 Phase		3 Phase		
				120V	240V	240V		
10 psi	80 psi	15-25 psi	See table (below)	1.5	2.0	3.0	30-50	69ES1
10 psi	80 psi	15-25 psi	See table (below)	2.0	3.0	5.0	30-50	69ES2

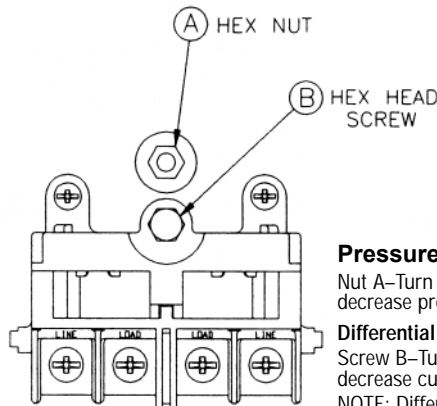
69ES Modifications

Description	Catalog Number Suffix - Add Suffixes in Order Shown
1/4" quick connects (load terminal only)	A
Pulsation orifice	B
Two rubber grommets for 1/2" conduit hole	G
Pipe Fittings:	
1/4" male NPT	2A
3/8" female NPT	2J
Straight mini barb for 1/4" plastic tube	2M
Special pressure settings: Suffix "Z" is followed by setting Example: 69ES1Z2040	Z

† See Instruction Sheet included with switch for manual adjusting instructions.

PSI Table

Cut-In A	Cut-Out-B	
	Min.	Max.
10	25	35
15	30	40
20	35	45
30	45	55
40	55	65
50	65	75
60	75	80
65	80	80



Pressure Adjustment Settings

Nut A—Turn clockwise to increase and counterclockwise to decrease pressure range (both cut-in and cut-out).

Differential Adjustment

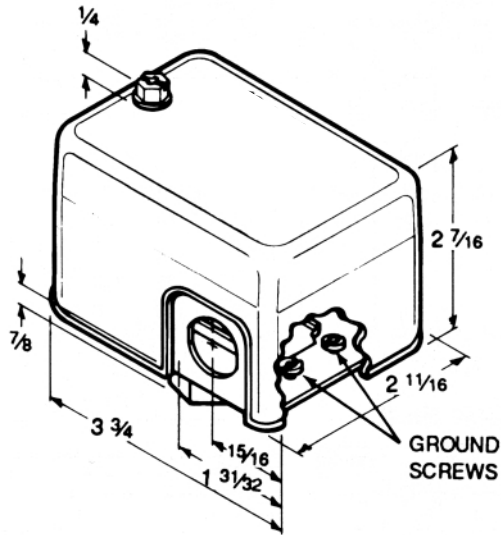
Screw B—Turn clockwise to increase and counterclockwise to decrease cut-out pressure.

NOTE: Differentials shown on tables above are averages only.

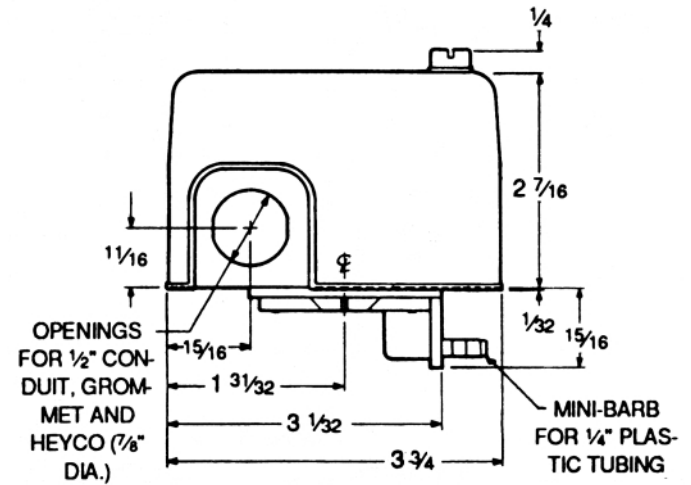


Application

69ES Dimensions



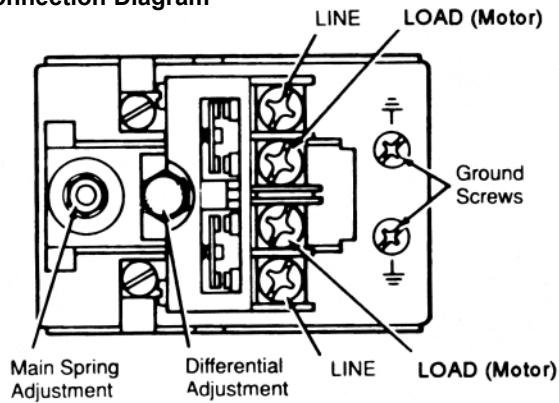
69ES with 90° Mini Barb Dimensions



Electrical Ratings

Cat. No.	Control Circuit	Horsepower			
		112V	240V	240V	32V-230V
69ES1	A600	1.5	2.0	3.0	1/4
69ES2	A600	2.0	3.0	5.0	1/2

Connection Diagram



Replacement Parts

	Description		Cat No.	
	Contact cartridge complete with contacts	For 69ES1	75ES1	
		For 69ES2	75ES2	
	Grommets for 1/2" conduit hole		D00492001	
	Plastic pulsation plug		D20909001	



Hubbell Industrial Controls, Inc.

a subsidiary of Hubbell Incorporated
 4301 Cheyenne Drive, Archdale, NC 27263
 Phone (336) 434-2800 | Fax (336) 434-2801
 www.hubbell-icd.com
 sales@hubbell-icd.com