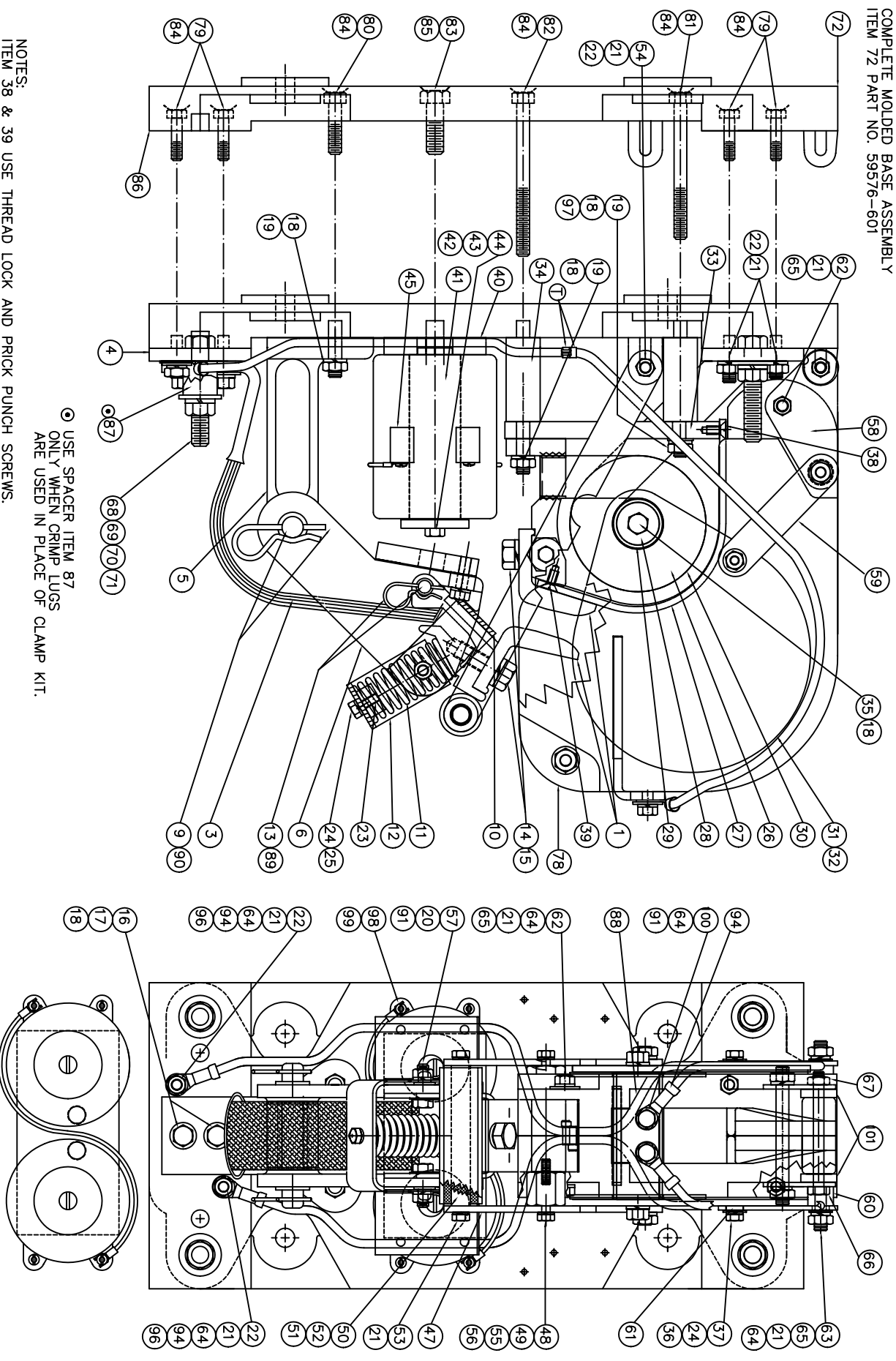


COMPLETE MOLDED BASE ASSEMBLY
ITEM 72 PART NO. 59576-601



NOTES:
ITEM 38 & 39 USE THREAD LOCK AND PRICK PUNCH SCREWS.
Ⓣ USE (2) NYLON CABLE TIES .18" WIDE (AS SHOWN).

Ⓞ USE SPACER ITEM 87 ONLY WHEN CRIMP LUGS ARE USED IN PLACE OF CLAMP KIT.

REV	DATE	BY	DESCRIPTION	UNLESS SHOWN OTHERWISE	UNLESS SHOWN OTHERWISE	UNLESS SHOWN OTHERWISE	UNLESS SHOWN OTHERWISE
E				0.1	0.002	0.002	0.002
D				0.1	0.002	0.002	0.002
C	9-22-00	TUJ	ADDED ITEM 97	0.1	0.002	0.002	0.002
B	2-21-00	TUJ	UPDATED DRAWING	0.1	0.002	0.002	0.002
A	6-27-96	WSM	ARC TRANSFER WIRES CHANGED	0.1	0.002	0.002	0.002

LINE NO.	REV.	DATE	BY	DESCRIPTION
1		08/13/98	DR:WSM	REPAIR PARTS BULLETIN S210
2				MOLDED BASE FRONT REMOVABLE
3				1350 AMP, 1 POLE, N.O.
4				DC CONTACTOR, SIZE 8

DRG. NO. **RPC-59800-3** 1 OF 2