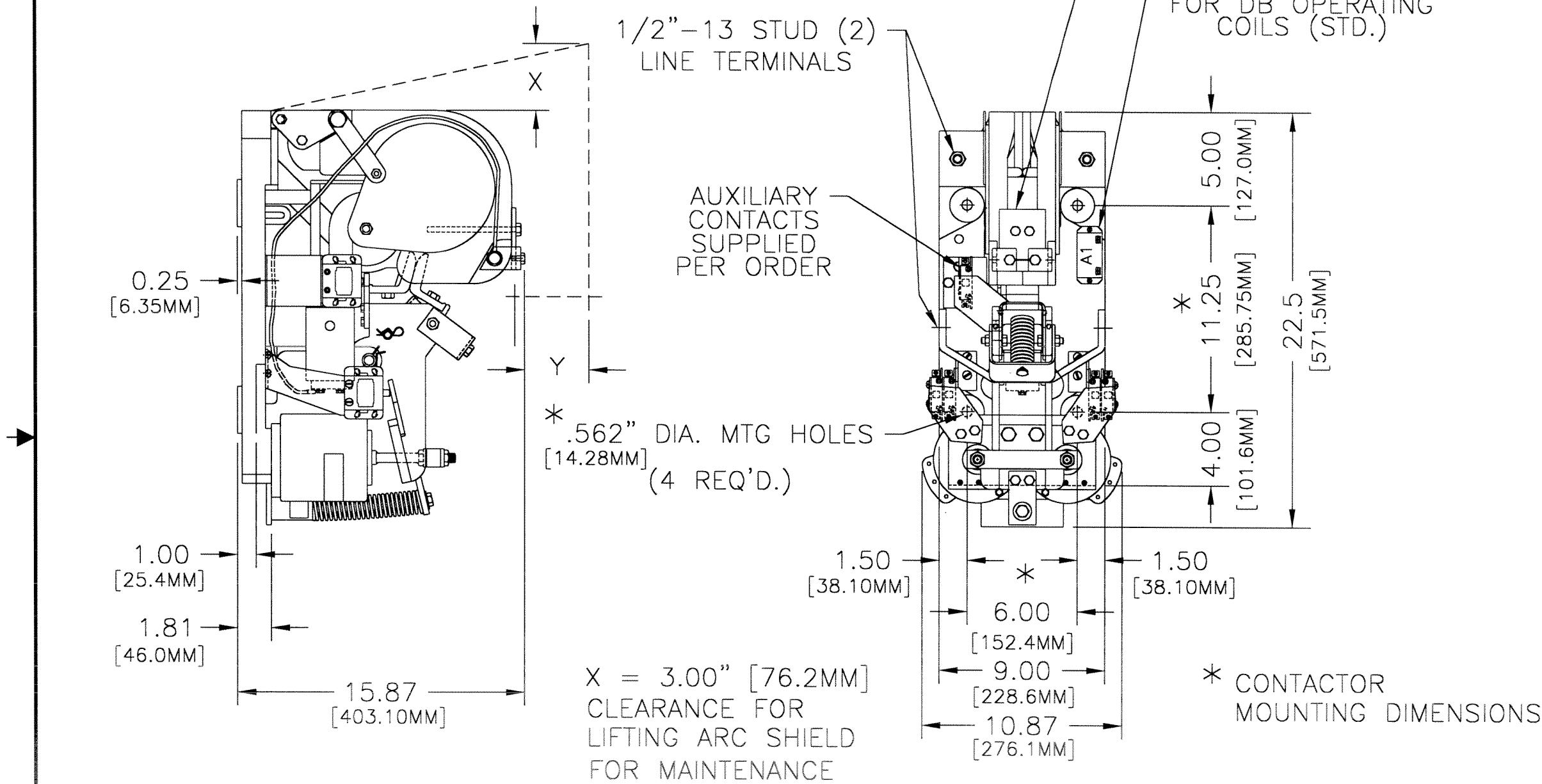


ARC CLEARANCES @ 250V. D.C.

SIZE 6 X & Y ARE 3.00" [76.2MM]  
 SIZE 7 X & Y ARE 3.50" [88.9MM]  
 SIZE 8 X & Y ARE 4.00" [101.6MM]

CONTACTOR ASSEMBLY PART NO'S. (B)

59600-930,931 & 932 (600A)  
 59700-930,931 & 932 (900A)  
 59800-930,931 & 932 (1350A)



A-59655-930

1:8

E					LINEAR	HOLE	ANGLES	BULLETIN 5210 MOLDED BASE PANEL OUTLINE DIMENSIONS FOR SIZE 6,7 & 8 1 POLE D.C. NORMALLY CLOSED FRONT REMOVABLE CONTACTOR				
D				0.X = ±.050	PUNCH ±.002	DIMEN. ± 1°						
C				0.XX = ±.020	DRILL ≤ .50 ±.004	UNDIM. 90° ±2°						
				0.XXX = ±.005	> .50 ±.010							
B	03-11-93	X	DAL	ADDED ASSEMBLY P/N'S.	CADD NO. 59655930		R.M.S.		DATE 02/25/93	DR.D. LEVINE	CK.	REF.
A	02-25-93	X	DAL	REVISED & REDRAWN	Hubbell Industrial Controls, Inc. 50 Edwards Street Madison, Oh. 44057		DRG. NO.		1 OF 1 A-59655-930			
Rev	DATE	SYS	BY	DESCRIPTION								