

Legacy Industrial Power Resistors

3003

Type SSR Ventwound | Types V, H, EW for Rod Bolt Mounting

Price List • May 2010, Replaces April 2007

THESE TABULATED RESISTOR COILS ARE AVAILABLE AS REPLACEMENT ELEMENTS FOR EXISTING INSTALLATION AND SPECIAL APPLICATIONS

DISCOUNT CODE EK

EUCLID - VENTWOUND RESISTOR COILS FOR SSR MOUNTING				
	SIZE 3		SIZE 5	
AMP CAP.	PART NO.	OHMS	PART NO.	OHMS
	\$137		\$181	
2.7	HC69293-016	46.40	HC69295-016	79.80
3.0	HC69293-015	36.80	HC69295-015	63.30
3.4	HC69293-014	29.30	HC69295-014	50.40
3.9	HC69293-013	23.15	HC69295-013	39.80
5.3	HC69293-011	14.60	HC69295-011	25.15
6.1	HC69293-010	11.80	HC69295-010	20.30
6.8	HC69293-009	9.35	HC69295-009	16.08
	\$162		\$212	
7.7	HC69293-008	7.31	HC69295-008	12.85
8.8	HC69293-007	5.85	HC69295-007	10.08

DISCOUNT CODE EJ

EUCLID TYPE V - WIREWOUND RESISTOR COILS (ROD BOLT MOUNTING)						
	SIZE 3			SIZE 5		
*AMP CAP.	PART NO.	CATALOG NO.	OHMS	PART NO.	CATALOG NO.	OHMS
	\$202			\$260		
2.7	HC30852-016	V327C4640	46.40	HC30853-016	V527C798	79.8
3.0	HC30852-015	V330C368	36.80	HC30853-015	V530C633	63.3
3.4	HC30852-014	V334C293	29.30	HC30853-014	V534C504	50.4
3.9	HC30852-013	V339C232	23.15	HC30853-013	V539C398	39.8
5.3	HC30852-011	V353C146	14.60	HC30853-011	V553C251	25.1
6.1	HC30852-010	V361C118	11.80	HC30853-010	V561C203	20.3
6.8	HC30852-009	V368C934	9.35	HC30853-009	V568C161	16.1
	\$235			\$302		
7.7	HC30852-008	V377C731	7.31	HC30853-008	V577C129	1.29
8.8	HC30852-007	V388C585	5.85	HC30853-007	V588C101	1.01

NOTE: Ampere ratings are based on single coils operating in free air at a temperature rise not to exceed:
 300°C Rise for Type SSR Ventwound Resistor Coils
 300°C Rise for Type V Wirewound Resistor Coils
 *Derate Type V Wire wound Resistor Coils for 20% for intermittent duty applications

DISCOUNT CODE EJ

EUCLID TYPE EW - EXPANDOHM EDGEWOUND RESISTOR COILS (ROD BOLT MOUNTING)						
	SIZE 2			SIZE 3		
*AMP CAP.	PART NO.	CATALOG NO.	OHMS	PART NO.	CATALOG NO.	OHMS
	\$139			\$172		
5.5	HC57852-001	255D766	7.66	HC57853-001	355D115	11.50
7	HC57852-002	27D5170	5.17	HC57853-002	37D777	7.77
8.5	HC57852-003	28D3760	3.76	HC57853-003	38D5870	5.87
10	HC57852-004	210D286	2.86	HC57853-004	310D447	4.47
11	HC57852-005	211D235	2.35	HC57853-005	311D376	3.76
12	HC57852-006	212D192	1.92	HC57853-006	312D307	3.07
13	HC57852-008	213D169	1.69	HC57853-008	313D270	2.70
16	HC57852-010	216D130	1.30	HC57853-010	316D208	2.08
	\$164			\$197		
18	HC57852-011	218D894	0.894	HC57853-011	318D143	1.43
20	HC57852-012	220D820	0.820	HC57853-012	320D131	1.31
22	HC57852-013	222D714	0.714	HC57853-013	322D114	1.14
24	HC57852-014	224D590	0.590	HC57853-014	324D945	0.945
27	HC57852-015	227D466	0.466	HC57853-015	327D746	0.746
30	HC57852-016	230D357	0.357	HC57853-016	330D571	0.571
	\$189			\$223		
34	HC57852-017	234D295	0.295	HC57853-017	334D472	0.472
37	HC57852-018	237D268	0.268	HC57853-018	337D428	0.428
40	HC57852-019	240D232	0.232	HC57853-019	340D371	0.371
45	HC57852-020	245D186	0.186	HC57853-020	345D290	0.290
50	HC57852-021	250D157	0.157	HC57853-021	350D245	0.245
52	HC57852-022	252D145	0.145	HC57853-022	352D226	0.226
56	HC57852-023	256D123	0.123	HC57853-023	356D192	0.192
	\$223			\$256		
60	HC57852-024	260D115	0.115	HC57853-024	360D180	0.180
64	HC57852-025	264D100	0.100	HC57853-025	364D156	0.156
67	HC57852-026	267D092	0.092	HC57853-026	367D145	0.145
70	HC57852-027	270D087	0.087	HC57853-027	370D136	0.136
76	HC57852-028	276D069	0.069	HC57853-028	376D110	0.110
	\$273			\$307		
82	HC57852-029	282D064	0.064	HC57853-029	382D100	0.100
85	HC57852-030	285D055	0.055	HC57853-030	385D087	0.087
94	HC57852-031	294D045	0.045	HC57853-031	394D071	0.071
101	HC57852-032	2101D038	0.038	HC57853-032	3101D060	0.060

NOTE: Ampere ratings are based on single coils operating in free air at a temperature rise not to exceed: 375°C Rise for Type EW Expandohm Edgewound Resistor Coils

Prices Subject to Change without Notice



EUCLID TYPE EW - EXPANDOHM EDGEWOUND RESISTOR COILS (ROD BOLT MOUNTING)						
	SIZE 4			SIZE 5		
*AMP CAP.	PART NO.	CATALOG NO.	OHMS	PART NO.	CATALOG NO.	OHMS
	\$197			\$214		
5.5	HC57854-001	455D156	15.60	HC57855-001	555D198	19.80
7	HC57854-002	47D1056	10.56	HC57855-002	57D1340	13.40
8.5	HC57854-003	48D7980	7.98	HC57855-003	58D1010	10.10
10	HC57854-004	410D607	6.07	HC57855-004	510D768	7.68
11	HC57854-005	411D517	5.17	HC57855-005	511D658	6.58
12	HC57854-006	412D423	4.23	HC57855-006	512D538	5.38
13	HC57854-008	413D372	3.72	HC57855-008	513D473	4.73
16	HC57854-010	416D286	2.86	HC57855-010	516D364	3.64
	\$223			\$239		
18	HC57854-011	418D196	1.96	HC57855-011	518D250	2.50
20	HC57854-012	421D181	1.81	HC57855-012	520D230	2.30
22	HC57854-013	422D157	1.57	HC57855-013	522D200	2.00
24	HC57854-014	424D130	1.30	HC57855-014	524D165	1.65
27	HC57854-015	427D102	1.02	HC57855-015	527D130	1.30
30	HC57854-016	430D786	0.786	HC57855-016	530D100	1.00
	\$256			\$273		
34	HC57854-017	434D650	0.650	HC57855-017	534D826	0.826
37	HC57854-018	437D589	0.589	HC57855-018	537D750	0.750
40	HC57854-019	440D510	0.510	HC57855-019	540D650	0.650
45	HC57854-020	445D394	0.394	HC57855-020	545D499	0.499
50	HC57854-021	450D334	0.334	HC57855-021	550D422	0.422
52	HC57854-022	452D308	0.308	HC57855-022	552D390	0.390
56	HC57854-023	456D262	0.262	HC57855-023	556D331	0.331
	\$307			\$323		
60	HC57854-024	460D245	0.245	HC57855-024	560D310	0.310
64	HC57854-025	464D212	0.212	HC57855-025	564D268	0.268
67	HC57854-026	476D197	0.197	HC57855-026	567D249	0.249
70	HC57854-027	470D186	0.186	HC57855-027	570D236	0.236
76	HC57854-028	476D150	0.150	HC57855-028	576D194	0.191
	\$357			\$391		
82	HC57854-029	482D136	0.136	HC57855-029	582D173	0.173
85	HC57854-030	485D118	0.118	HC57855-030	585D150	0.150
94	HC57854-031	494D097	0.097	HC57855-031	594D124	0.124
101	HC57854-032	4101D082	0.082	HC57855-032	5101D105	0.105

NOTE: Ampere ratings are based on single coils operating in free air at a temperature rise not to exceed: 375°C Rise for Type EW Expandohm Edgewound Resistor Coils

Prices Subject to Change without Notice



EUCLID TYPE EW - EXPANDOHM EDGEWOUND RESISTOR COILS (ROD BOLT MOUNTING)									
	SIZE 6			SIZE 7			SIZE 8		
*AMP CAP.	PART NUMBER	CATALOG NUMBER	OHMS	PART NUMBER	CATALOG NUMBER	OHMS	PART NUMBER	CATALOG NUMBER	OHMS
	\$239			\$256			\$307		
5.5	HC57856-001	655D240	24.00	HC57857-001	755D282	28.20	HC57858-001	885D324	32.40
7	HC57856-002	67D1620	16.20	HC57857-002	77D1905	19.05	HC57858-002	87D2185	21.85
8.5	HC57856-003	68D1220	12.20	HC57857-003	78D1432	14.32	HC57858-003	88D1643	16.43
10	HC57856-004	610D928	9.28	HC57857-004	710D109	10.90	HC57858-004	810D125	12.50
11	HC57856-005	611D800	8.00	HC57857-005	711D940	9.40	HC57858-005	811D108	10.80
12	HC57856-006	612D654	6.54	HC57857-006	712D768	7.68	HC57858-006	812D884	8.84
13	HC57856-008	613D575	5.75	HC57857-008	713D676	6.76	HC57858-008	813D778	7.78
16	HC57856-010	616D442	4.42	HC57857-010	716D520	5.20	HC57858-010	816D598	5.98
	\$273			\$298			\$349		
18	HC57856-011	618D304	3.04	HC57857-011	718D357	3.57	HC57858-011	818D411	4.11
20	HC57856-012	620D279	2.79	HC57857-012	720D329	3.29	HC57858-012	820D378	3.78
22	HC57856-013	622D243	2.43	HC57857-013	722D285	2.85	HC57858-013	822D328	3.28
24	HC57856-014	624D200	2.00	HC57857-014	724D236	2.36	HC57858-014	824D271	2.71
27	HC57856-015	627D158	1.58	HC57857-015	727D186	4.86	HC57858-015	827D214	2.14
30	HC57856-016	630D121	1.21	HC57857-016	730D143	1.43	HC57858-016	830D164	1.64
	\$307			\$357			\$407		
34	HC57856-017	634D100	1.00	HC57857-017	734D118	1.18	HC57858-017	834D136	1.36
37	HC57856-018	637D911	0.911	HC57857-018	737D107	1.07	HC57858-018	837D123	1.23
40	HC57856-019	640D789	0.789	HC57857-019	740D928	0.928	HC57858-019	840D107	1.07
45	HC57856-020	645D603	0.603	HC57857-020	745D708	0.708	HC57858-020	845D812	0.812
50	HC57856-021	650D511	0.511	HC57857-021	750D599	0.599	HC57858-021	850D687	0.687
52	HC57856-022	652D471	0.471	HC57857-022	752D553	0.553	HC57858-022	852D635	0.635
56	HC57856-023	656D400	0.400	HC57857-023	756D470	0.470	HC57858-023	856D540	0.540
	\$374			\$424			\$475		
60	HC57856-024	660D374	0.374	HC57857-024	760D440	0.440	HC57858-024	860D504	0.504
64	HC57856-025	664D324	0.324	HC57857-025	764D380	0.380	HC57858-025	864D436	0.436
67	HC57856-026	667D301	0.301	HC57857-026	767D354	0.354	HC57858-026	867D406	0.406
70	HC57856-027	670D286	0.286	HC57857-027	770D335	0.335	HC57858-027	870D385	0.385
76	HC57856-028	676D232	0.232	HC57857-028	776D272	0.272	HC57858-028	876D312	0.312
	\$441			\$491			\$542		
82	HC57856-029	682D209	0.209	HC57857-029	782D246	0.246	HC57858-029	882D282	0.282
85	HC57856-030	685D182	0.182	HC57857-030	785D214	0.214	HC57858-030	885D246	0.246
94	HC57856-031	694D150	0.150	HC57857-031	794D176	0.176	HC57858-031	894D203	0.203
101	HC57856-032	6101D127	0.127	HC57857-032	7101D150	0.150	HC57858-032	8101D175	0.172

NOTE: Ampere ratings are based on single coils operating in free air at a temperature rise not to exceed: 375°C Rise for Type EW Expandohm Edgewound Resistor Coils

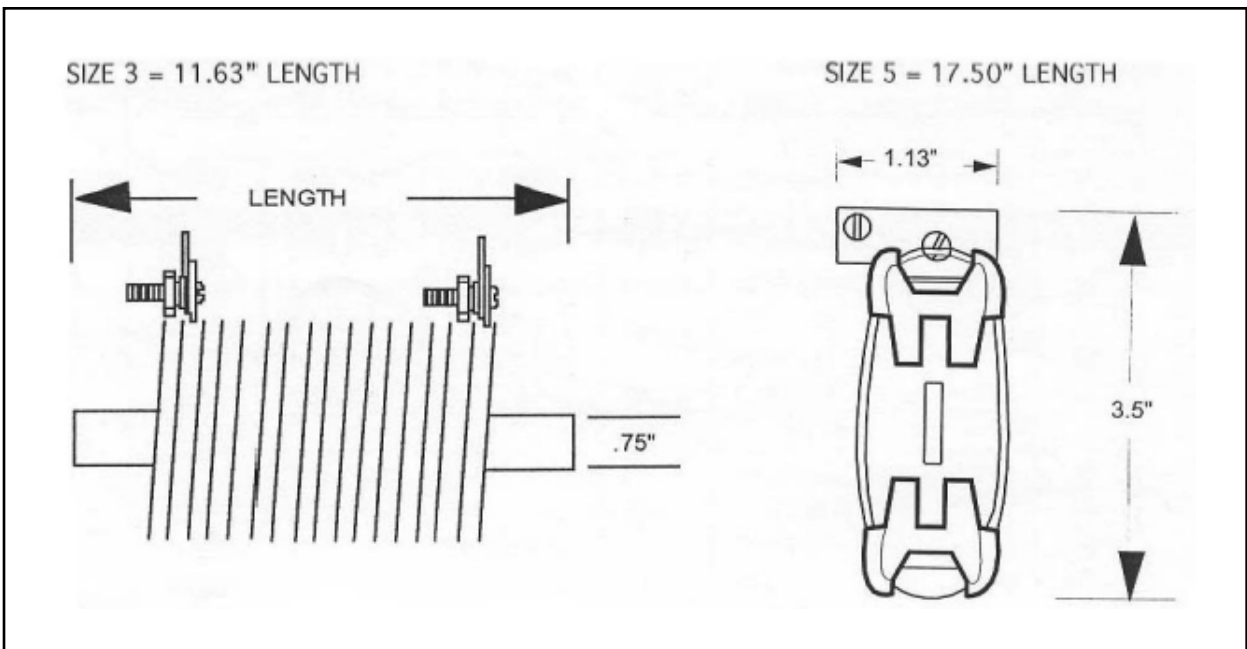
Prices Subject to Change without Notice



DISCOUNT CODE EK

ADJUSTABLE TERMINALS				
PART NUMBER	RATING AMPS	COIL	TYPE	LIST EACH
HC30910-002	2.7 - 6.1	VENTWOUND	V	\$25
HC30910-001	6.8 - 12.6	VENTWOUND	V	\$25
HC69430-001	1.3 - 7.2	HEXWOUND	H	\$19
HC17578-001	8.5 - 34	EDGEWOUND	EW	\$19
HC17577-001	37 - 101	EDGEWOUND	EW	\$19

APPROXIMATE DIMENSION OF THE TYPE SSR VENTWOUND RESISTOR



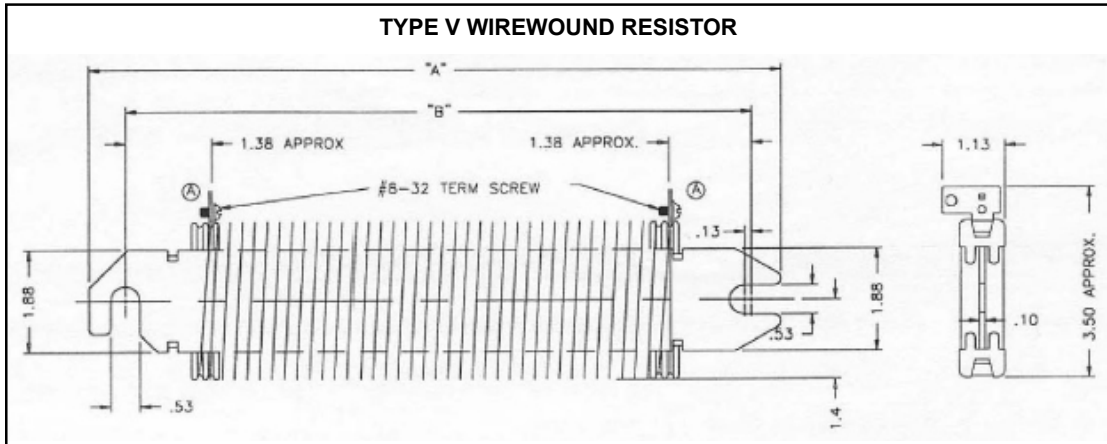
EUCLID TYPE H - EXPANDOHM EDGEWOUND RESISTOR COILS (ROD BOLT MOUNTING)									
	SIZE 3			SIZE 4			SIZE 5		
*AMP CAP.	PART NUMBER	CATALOG NUMBER	OHMS	PART NUMBER	CATALOG NUMBER	OHMS	PART NUMBER	CATALOG NUMBER	OHMS
	\$193			\$218			\$244		
1.3	HC31132-001	H312C72	80.0	HC31133-001	H412C100	109.0	HC31134-001	H512C124	138.0
1.5	HC31132-002	H314C58	64.0	HC31133-002	H414C80	87.0	HC31134-002	H514C99	110.0
1.7	HC31132-003	H316C45	51.0	HC31133-003	H416C63	69.0	HC31134-003	H516C78	87.0
2.0	HC31132-004	H319C36	40.0	HC31133-004	H419C50	55.0	HC31134-004	H519C63	69.0
2.3	HC31132-005	H623C30	32.0	HC31133-005	H423C42	43.0	HC31134-005	H523C50	55.0
2.7	HC31132-006	H327C24	25.0	HC31133-006	H427C33	34.0	HC31134-006	H527C41	44.0
	\$210			\$244			\$277		
3.0	HC31132-007	H332C18	20.0	HC31133-007	H432C26	27.0	HC31134-007	H532C32	34.0
4.0	HC31132-009	H342C11	13.0	HC31133-009	H442C16	17.0	HC31134-009	H542C20	22.0
4.6	HC31132-010	H35C93	10.2	HC31133-010	H45C13	14.0	HC31134-010	H55C16	18.0
	\$235			\$269			\$302		
5.2	HC31132-011	H36C75	8.1	HC31133-011	H46C10	11.0	HC31134-011	H56C13	14.0
6.5	HC31132-012	H37C60	6.3	HC31133-012	H47C84	8.6	HC31134-012	H57C10	11.0
7.2	HC31132-013	H38C45	5.1	HC31133-013	H48C63	6.9	HC31134-013	H58C80	8.7
	SIZE 6			SIZE 7			SIZE 8		
	\$277			\$311			\$353		
1.3	HC31135-001	H612C152	166.0	HC31136-001	H712C180	195.0	HC31137-001	H812C208	224.0
1.5	HC31135-002	H614C122	133.0	HC31136-002	H714C114	156.0	HC31137-002	H814C166	179.0
1.7	HC31135-003	H616C96	10530	HC31136-003	H716C114	123.0	HC31137-003	H816C131	141.0
2.0	HC31135-004	H619C75	83.0	HC31136-004	H719C89	98.0	HC31137-004	H819C111	112.0
2.3	HC31135-005	H623C64	66.0	HC31136-005	H723C79	77.0	HC31137-005	H823C88	89.0
2.7	HC31135-006	H627C50	53.0	HC31136-006	H727C60	62.0	HC31137-006	H827C69	71.0
	\$319			\$361			\$412		
3.0	HC31135-007	H632C39	42.0	HC31136-007	H732C47	49.0	HC31137-007	H832C54	56.0
3.4	HC31135-008	H636C31	33.0	HC31136-008	H736C37	39.0	HC31137-008	H836C42	44.0
4.0	HC31135-009	H642C24	26.0	HC31136-009	H742C29	31.0	HC31137-009	H842C64	35.0
4.6	HC31135-010	H65C19	21.0	HC31136-010	H75C23	25.0	HC31137-010	H85C27	29.0
	\$344			\$395			\$445		
5.2	HC31135-011	H66C15	17.0	HC31136-011	H76C19	20.0	HC31137-011	H86C22	23.0
6.5	HC31135-012	H67C12	13.0	HC31136-012	H77C15	15.0	HC31137-012	H87C18	18.0
7.2	HC31135-013	H68C98	10.5	HC31136-013	H78C12	12.3	HC31137-013	H88C13	14.0

NOTE: Ampere ratings are based on single coils operating in free air at a temperature rise not to exceed: 300°C Rise for Type H Expandohm Wirewound Resistor Coils

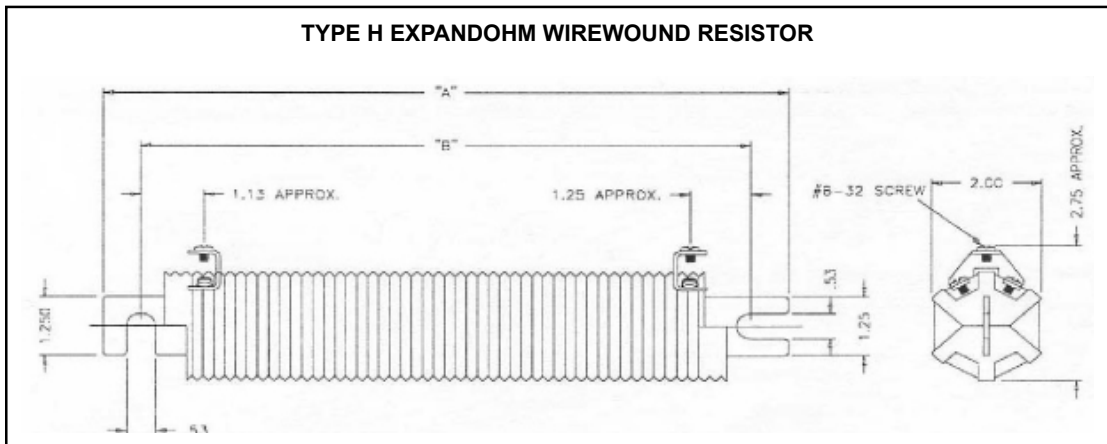
Prices Subject to Change without Notice



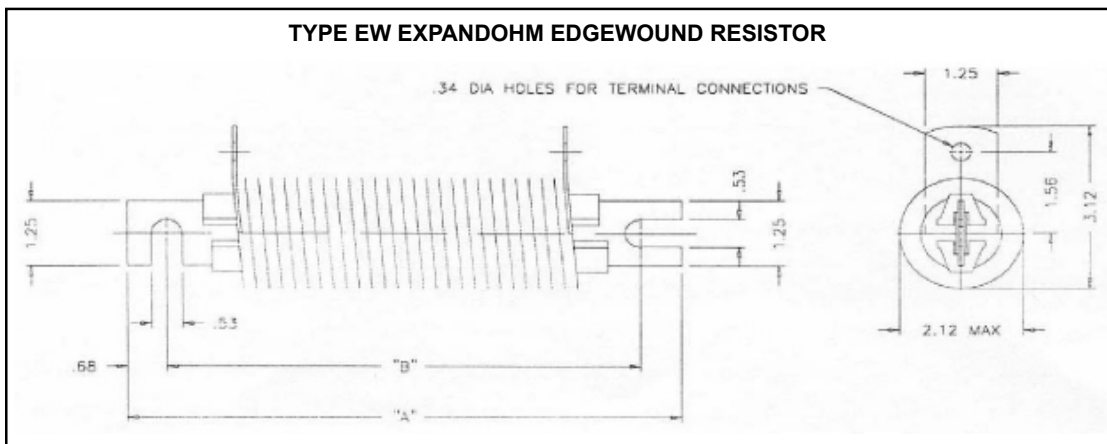
Dimensions



TYPE V RESISTORS		
SIZE	A	B
3	12.44"	11.13"
5	18.31"	17.00"



TYPE H RESISTORS		
SIZE	A	B
3	12.44"	11.06"
4	15.38"	14.00"
5	18.31"	16.94"
6	21.25"	19.88"
7	24.18"	22.81"
8	27.13"	25.75"



TYPE EW RESISTORS		
SIZE	A	B
2	9.50"	8.13"
3	12.88"	11.13"
4	15.38"	14.06"
5	18.31"	17.00"
6	21.25"	19.94"
7	24.18"	22.88"
8	27.13"	25.81"



Hubbell Industrial Controls, Inc.

a subsidiary of Hubbell Incorporated
 4301 Cheyenne Drive, Archdale, NC 27263
 Phone (336) 434-2800 | Fax (336) 434-2801
 www.hubbell-icd.com
 sales@hubbell-icd.com