

ARC SUPPRESSOR
FOR DB OPERATING
COILS (STD.)

ARC CLEARANCES @ 250V D.C.
SIZE 6 X & Y = 3.00 [76.2]
SIZE 7 X & Y = 3.50 [88.9]
SIZE 8 X & Y = 4.00 [101.6]

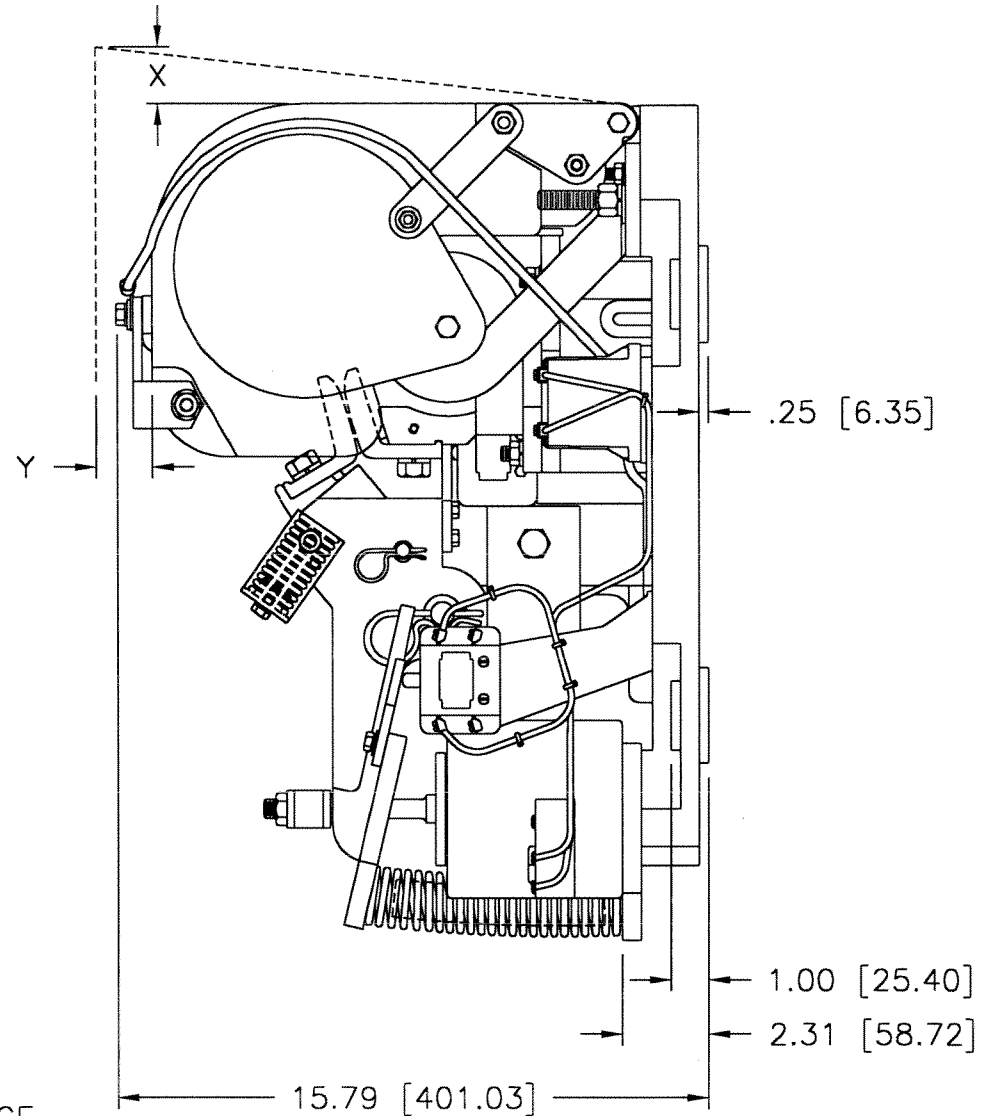
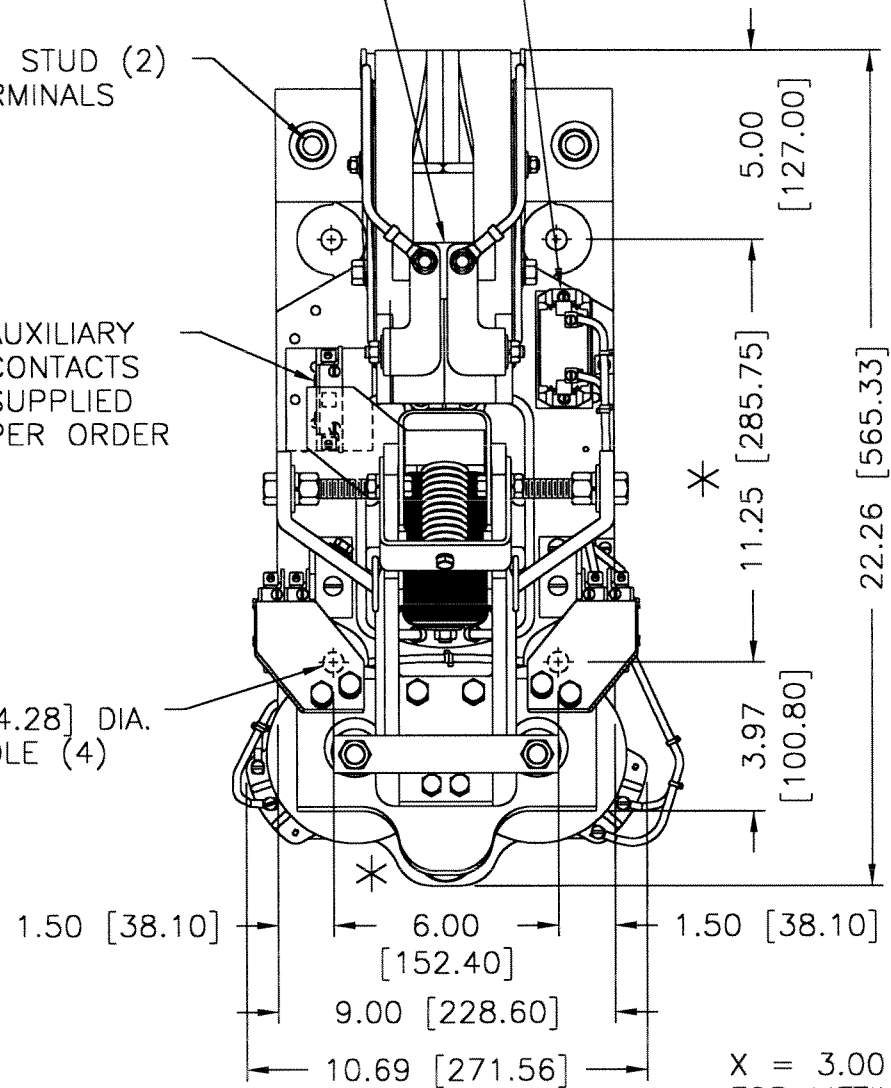
CONTACTOR ASSEMBLY PART NO.'S
59600-990, 991 & 992 (600A)
59700-990, 991 & 992 (900A)
59800-990, 991 & 992 (1350A)

ARC TRANSFER

.500-13 STUD (2)
LINE TERMINALS

AUXILIARY
CONTACTS
SUPPLIED
PER ORDER

*
.562 [14.28] DIA.
MTG. HOLE (4)



X = 3.00 [76.2] CLEARANCE
FOR LIFTING ARC SHIELD
FOR MAINTINENCE

DIMENSIONS ARE IN INCHES, DIMENSIONS IN [] ARE IN MM

PLOT SCALE 1=6

E				LINEAR	HOLE	ANGLES	BULLETIN 5210 MOLDED BASE PANEL OUTLINE DIMENSIONS FOR SIZE 6, 7, 8 1 POLE D.C. NORMALLY CLOSED FRONT REMOVABLE CONTACTOR
D			0.X = ±.050	PUNCH ±.002	DIMEN. ± 1°		
C			0.XX = ±.020	DRILL ≤ .50 +.004 > .50 ±.010	UNDIM. 90° ±2°		
B			0.XXX = ±.005	REAM SPECIFIED			
A				CADD NO. 59655990			
Rev	DATE	BY	DESCRIPTION	R.M.S.	DATE 8-12-99	DR.T. JOHNSON CK.	REF.



Hubbell Industrial Controls, Inc.
50 Edwards Street Madison, Oh. 44057

DRG. NO.
1 OF 1 A-59655-990

A-59655-990