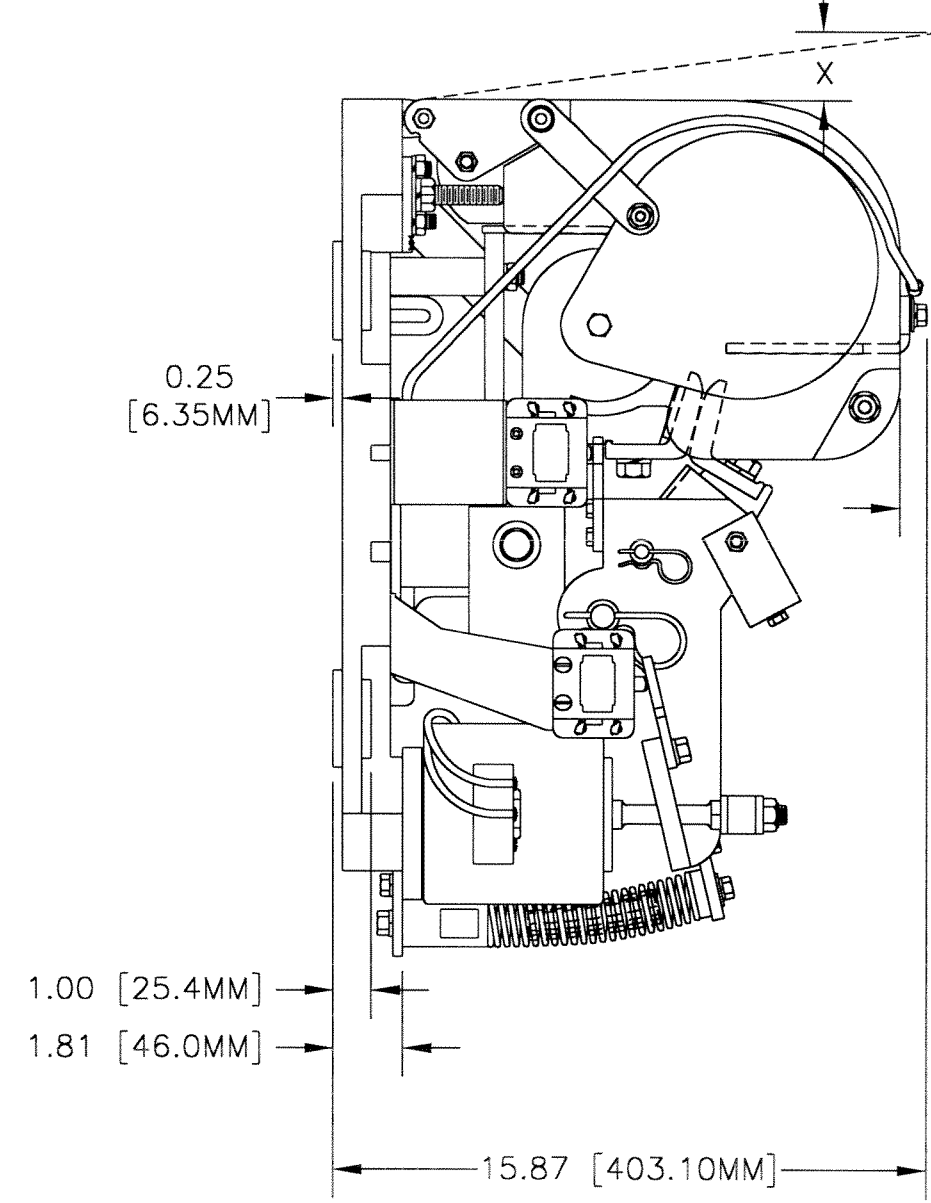


ARC CLEARANCES @ 250V. D.C. CONTACTOR ASSEMBLY PART NO'S

SIZE 6 X & Y = 3.00" [76.2MM]	59600-960,961 & 962 (600A)
SIZE 7 X & Y = 3.50" [88.9MM]	59700-960,961 & 962 (900A)
SIZE 8 X & Y = 4.00" [101.6MM]	59800-960,961 & 962 (1350A)

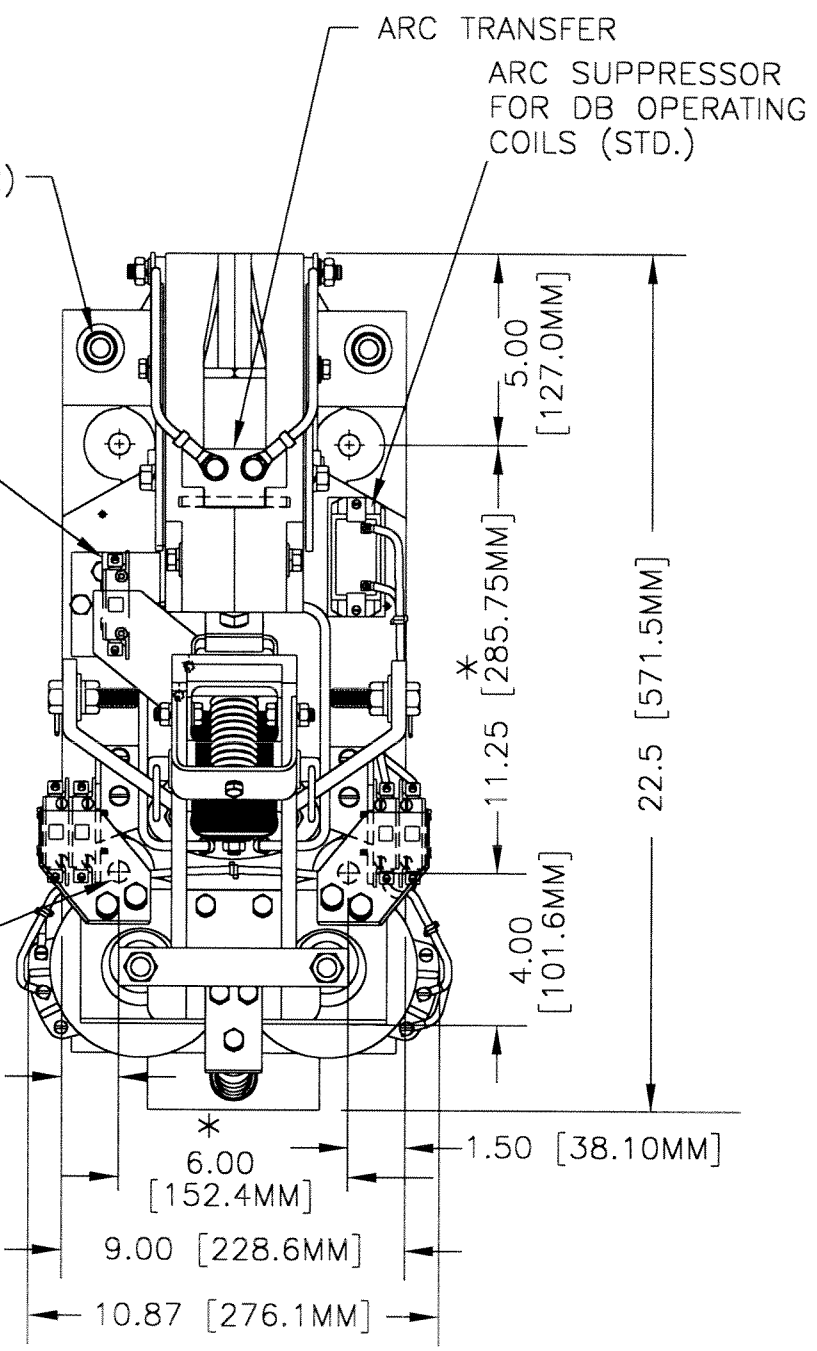


1/2" - 13 STUD (2)
LINE TERMINALS

AUXILIARY CONTACTS
SUPPLIED
PER ORDER

* .562 DIA. MTG HOLES
[14.28MM] (4REQ'D)

X = 3.00" [76.2MM]
CLEARANCE FOR
LIFTING ARC SHIELD
FOR MAINTINENCE



* CONTACTOR
MOUNTING DIMENSIONS PLOT SCALE 1=6

A-59655-960

E			
D			
C			
B			
A			
Rev	DATE	BY	DESCRIPTION

LINEAR	HOLE	ANGLES
0.X = ±.050	PUNCH ±.002	DIMEN. ± 1°
0.XX = ±.020	DRILL ≤ .50 ±.004 > .50 ±.010	UNDIM. 90° ±2°
0.XXX = ±.005	REAM SPECIFIED	

BULLETIN 5210 MOLDED BASE PANEL
OUTLINE DIMENSIONS FOR SIZE 6,7 & 8
1 POLE D.C. NORMALLY CLOSED FRONT
REMOVABLE CONTACTOR



Hubbell Industrial Controls, Inc.
50 Edwards Street Madison, Oh. 44057

R.M.S. DATE 07/16/96 DR.T. JOHNSON CK. REF.
DRG. NO. 1 OF 1 A-59655-960