

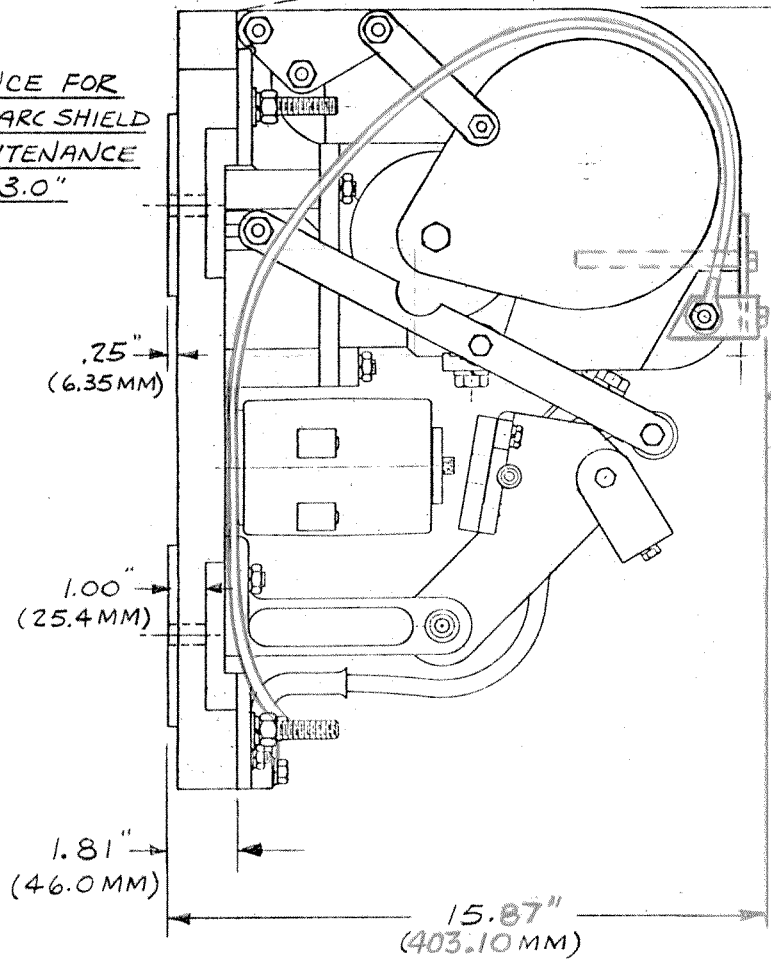
ARC CLEARANCES @ 250V. D.C.

DIM	SIZE 6	SIZE 7	SIZE 8
X	3.0" 76.2MM	3.5" 88.9MM	4.0" 101.6MM
Y	3.0" 76.2MM	3.5" 88.9MM	4.0" 101.6MM

SPACING CENTERLINE TO CENTERLINE  
TIE BAR OR MECHANICAL INTERLOCK

SIZE 6	10.00"	254.0MM
SIZE 7		
SIZE 8		

NOTE -  
CLEARANCE FOR  
LIFTING ARC SHIELD  
FOR MAINTENANCE  
DIM. X = 3.0"



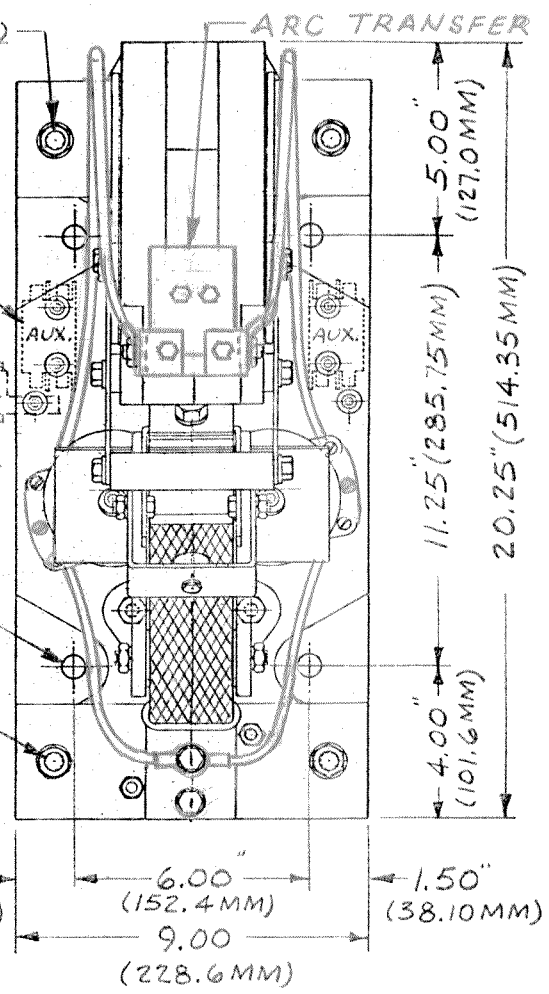
1/2-13 STUD (2)  
LINE  
TERMINALS

AUXILIARY  
CONTACTS  
SUPPLIED  
PER ORDER

MECHANICAL INTERLOCK  
SUPPLIED PER ORDER

(14.28MM)  
.562 DIA. MTG.  
HOLES (4)

1/2-13 STUD (2)  
LINE TERMINALS



REV.	DATE	BY	DESCRIPTION
E			
D			
C			
B			
A			

DECIMAL	LINEAR		HOLES		ANGLES	
	1 PLACE ± .060	2 PLACE ± .020	PUNCH	± .002	DIMEN.	± 1°
			.5	+ .004	UNDIMEN.	90° ± 2°
			OR LESS	- .002		
			OVER	+ .010		
			.5	- .004		
			REAM - SPECIFIED			

BULLETIN 5210 MOLDED BASE PANEL  
OUTLINE DIMENSIONS FOR SIZE 6 (500V)  
1 POLE D.C. NORMALLY OPEN, FRONT  
REMOVABLE CONTACTOR

R.M.S. | DATE 9-8-95 | DR. RWJ | CK. | APPR. | REF. A-59561

Industrial Controls Division  
HARVEY HUBBELL INCORPORATED  
Madison, Ohio 44057

DRG. NO. A-59561-1  
— OF —

A-59561