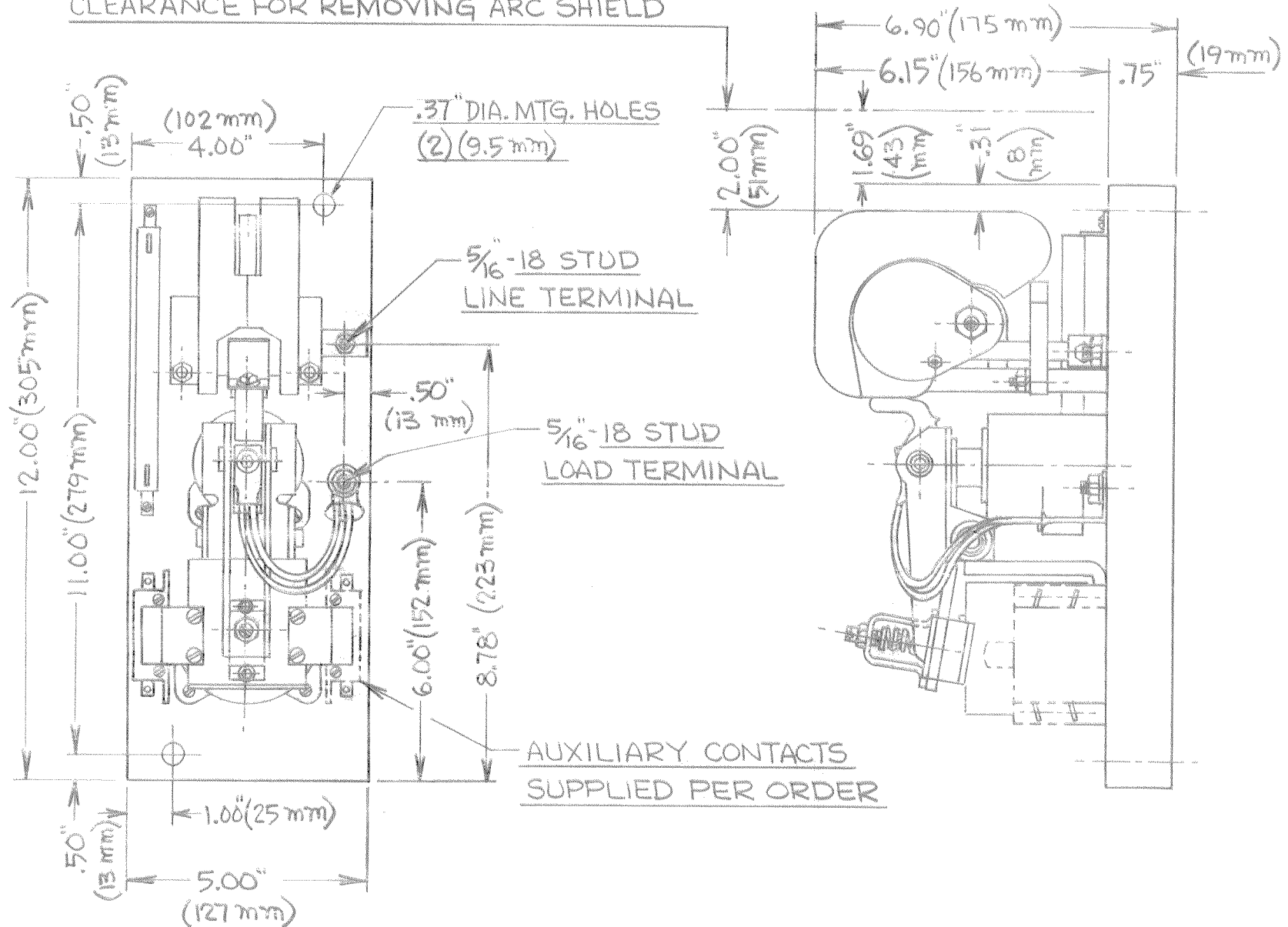


CLEARANCE FOR REMOVING ARC SHIELD



A-59504

E			
D			
C			
B			
A			
REV.	DATE	BY	DESCRIPTION

DECIMAL	LINEAR	HOLES		ANGLES
	1 PLACE ± .060	PUNCH	± .002	DIMEN. ± 1°
2 PLACE ± .020	DRILL	.5 OR LESS	+ .004	UNDIMEN. 90° ± 2°
		OVER .5	+ .010	
3 PLACE ± .005	REAM - SPECIFIED			

BULL 5210 FIBERGLASS PANEL  
 OUTLINE DIMENSIONS FOR 100A. & 150A.  
 1-POLE D.C. SPRING CLOSED FRONT  
 REMOVABLE CONTACTOR SIZE #3 & #4

R.M.S. | DATE 8-8-79 | DR. DJK | CK. *[Signature]* | APPR. | REF.

Industrial Controls Division  
 HARVEY HUBBELL INCORPORATED  
 Madison, Ohio 44057

DRG. NO. A-59504  
 OF