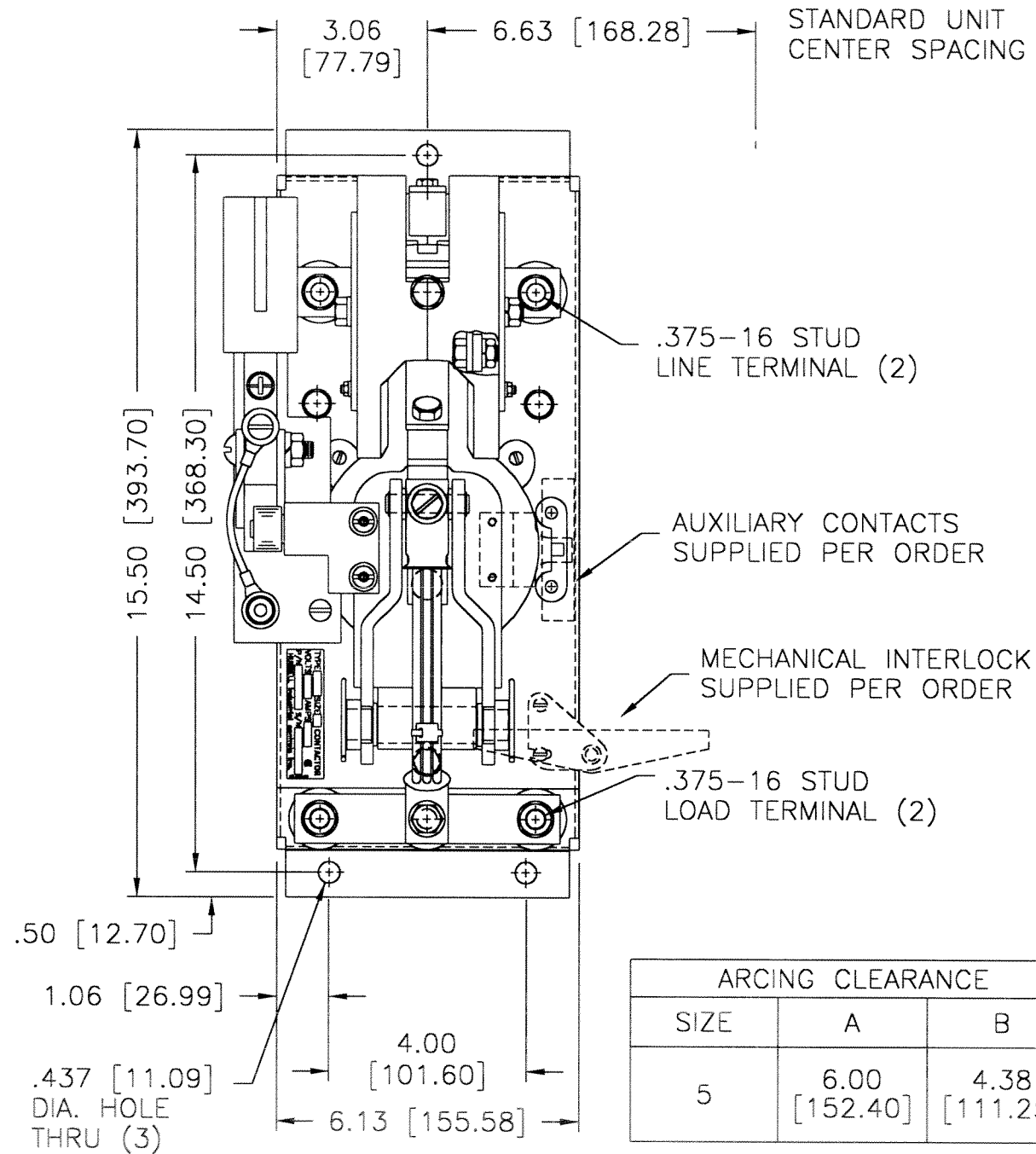


BUMP OPEN
 N.C. SIZE 1 25 AMP OR
 N.C. SIZE 2 50 AMP
 (NOT SHOWN IN THIS VIEW)

NOTES:
 1. DIMENSIONS IN [] ARE IN MILLIMETERS
 ALL OTHERS ARE IN INCHES
 2. DIMENSIONS "A" & "B" ARE FOR ARCING CLEARANCE



ARCING CLEARANCE		
SIZE	A	B
5	6.00 [152.40]	4.38 [111.25]

PLOT SCALE 1=4

E				LINEAR	HOLE	ANGLES	SIZE 5 (300 AMP) & 5A (400 AMP) N.O. 1 POLE DC CONTACTOR OUTLINE MOLDED BASE WITH N.C. BUMP OPEN MODEL 2001	
D				0.X = ±.050	PUNCH ±.002	DIMEN. ± 1°		
C				0.XX = ±.020	DR ≤ .50 ±.004	UNDIM. 90° ± 2°		
B				0.XXX = ±.005	DR > .50 ±.010			
A				CADD NO. 5888006		R.M.S.	DATE 12-6-03	
Rev	DATE	BY	DESCRIPTION	Hubbell Industrial Controls, Inc. 50 Edwards Street Madison, Oh. 44057		DR. LMH	CK.	REF.

DRG. NO. 1 OF 1 **A-58888-6**

A-58888-6